

LASERSCALE®

Scale Unit / Maßstabseinheit

BL55-NE

Read all the instructions in the manual carefully before use and strictly follow them.
Keep the manual for future references.

Lesen Sie die ganze Anleitung vor dem Betrieb aufmerksam durch und folgen Sie beim Betrieb des Geräts den Anweisungen. Bewahren Sie diese Bedienungsanleitung zum späteren Nachlesen griffbereit auf.

LASERSCALE / LASERSCALE
Instruction Manual / Bedienungsanleitung

Safety Precautions

Magnescale Co., Ltd. products are designed in full consideration of safety. However, improper handling during operation or installation is dangerous and may lead to fire, electric shock or other accidents resulting in serious injury or death. In addition, these actions may also worsen machine performance.

Therefore, be sure to observe the following safety precautions in order to prevent these types of accidents, and to read these "Safety Precautions" before operating, installing, maintaining, inspecting, repairing or otherwise working on this unit.

Warning indication meanings

The following indications are used throughout this manual, and their contents should be understood before reading the text.

Warning

Failure to observe these precautions may lead to fire, electric shock or other accidents resulting in serious injury or death.

Caution

Failure to observe these precautions may lead to electric shock or other accidents resulting in injury or damage to surrounding objects.

Symbols requiring attention



CAUTION



ELECTRICAL
SHOCK



FINGER JAM



LASER BEAM

Symbols prohibiting actions



DO NOT
DISASSEMBLE

Symbols specifying actions



UNPLUG-
GING

Warning



- Do not use this unit with voltages other than the specified supply voltages as this may result in fire or electric shock.
- Do not perform installation work with wet hands as this may result in electric shock.



- Do not disassemble or modify the unit as this may result in injury or damage the internal circuits.



- This device is a class 1 laser product using a semiconductor laser with wavelength of 790 nm that is outside the visible range. The maximum output of the laser is 6 mW (class 3B).
- Although the laser beams emitted from the head interior are invisible to the eye, they are hazardous to the human body. Therefore, never disassemble the scale unit, or try to look into it from the sealed section of the scale unit. Also, never insert foreign objects into the sealed section of the scale unit.

CLASS 1 LASER PRODUCT
LASERSCHUTZKLASSE 1 PRODUKT
TO EN 60825

Caution



- Be sure to check the machine and device conditions to ensure work safety before working on the machine.



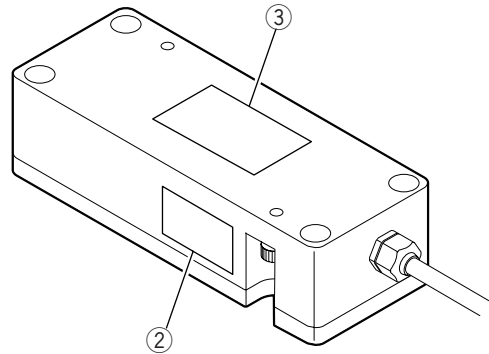
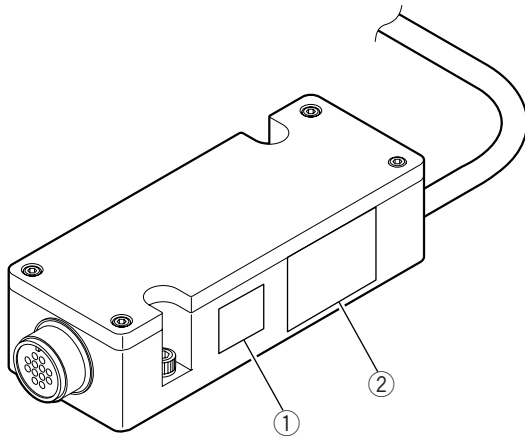
- Be sure to cut off the power supply and other sources of drive power before working on the machine. Failure to do so may result in fire or accidents.



- When turning on the power supply or other sources of drive power to operate the machine, take care not to catch your fingers in peripheral machines and devices.

CAUTION

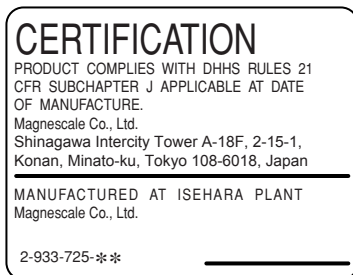
Use of controls or adjustments or performance of procedures other than those specified herein may result in hazardous radiation exposure.



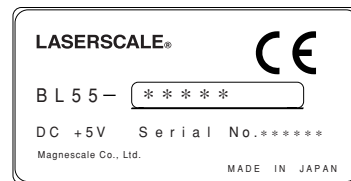
① Laser Danger label



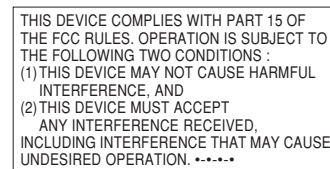
② DHHS label



③ Specification label



④ FCC label



Operating Precautions

- An antistatic cap is attached to the connector plug of the interface unit. Do not remove this cap until you are ready to connect the peripherals.
After removing the static electricity proof cap, take care not to touch the connector pins as this might cause malfunctions.
- Be sure to make all connections of the interface unit connector and the peripherals before switching the power on.
Never insert or pull out the connector when the power switch is on.
- Do not pull at the cable forcibly or bend it excessively. (Bending radius (inside) Static: 30 mm or more, Moving: 100 mm or more)
- Use the BL55-NE approximately 10 minutes after power is supplied to the unit, when the temperature of the detector head reaches a stable state.
- The BL55-NE is a precision measuring instrument. Handle it with extreme care so that no excessive shock is applied to it. For transport, be sure to pack it in the same way as it was packed at the time of purchase. Be sure to always attach the antistatic cap to the connector.

Notes on installation

Take careful note of the following points when installing the scale unit to prevent noise and electromagnetic interference from other equipment.

- Do not pass the head cable and connection cable through the same duct as the power line.
- Install in a location that is at least 0.5 meters separated from sources of high voltage and large currents and large power relays.

Notes on attachment location

- Attach the scale in a location as near as possible to the workpiece and measurement object of the machine.
- Use this product in an environment with an ambient temperature of 0 to 40 °C.
Do not attach it to a location that is exposed to direct sunlight or warm air or near sources of heat such as motors. This could adversely affect the accuracy.
- If using a water-soluble cutting fluid or other substances, ensure that there is adequate protection so that it does not adhere to the scale.
- Never place objects on top of the attached scale, rest your elbows or feet on the scale when using it, or apply an excessive amount of pressure to the scale.

Notes on storage

- Do not store in locations with high temperatures or high humidity.
This could have an adverse effect on scale performance. Store in a location that is as dry as possible.

General Precautions

When using Magnescale Co., Ltd. products, observe the following general precautions along with those given specifically in this manual to ensure proper use of the products.

- Before and during operations, be sure to check that our products function properly.
- Provide adequate safety measures to prevent damages in case our products should develop malfunctions.
- Use outside indicated specifications or purposes and modification of our products will void any warranty of the functions and performance as specified of our products.
- When using our products in combination with other equipment, the functions and performance as noted in this manual may not be attained, depending upon operating environmental conditions. Make full study of the compatibility in advance.

[For U.S.A. and Canada]

THIS CLASS A DIGITAL DEVICE COMPLIES WITH PART15 OF THE FCC RULES AND THE CANADIAN ICES-003. OPERATION IS SUBJECT TO THE FOLLOWING TWO CONDITIONS.

- (1) THIS DEVICE MAY NOT CAUSE HARMFUL INTERFERENCE, AND
- (2) THIS DEVICE MUST ACCEPT ANY INTERFERENCE RECEIVED, INCLUDING INTERFERENCE THAT MAY CAUSE UNDERSIGNED OPERATION.

CET APPAREIL NUMERIQUE DE LA CLASSE A EST CONFORME A LA NORME NMB-003 DU CANADA.

Contents

| | |
|--|------------|
| 1. Overview | 1-1 |
| 1-1. Introduction | 1-1 |
| 1-2. Main Features | 1-1 |
| 1-3. Series Models | 1-2 |
| 2. Names and Functions of Parts | 2-1 |
| 3. Mounting and Adjustment | 3-1 |
| 3-1. Mounting Precautions | 3-1 |
| 3-1-1. When Mounting | 3-1 |
| 3-1-2. Mounting Requirements | 3-2 |
| 3-2. Mounting Surface Preparations | 3-3 |
| 3-3. Scale Mounting | 3-4 |
| 3-4. Detector Head Mounting | 3-8 |
| 3-5. Signal Adjustment | 3-9 |
| 3-5-1. Signal Adjustment Preparations | 3-9 |
| 3-5-2. Azimuth Adjustment | 3-10 |
| 3-6. Completion of Mounting and Adjustment | 3-11 |
| 4. Interface Unit | 4-1 |
| 4-1. Installing the Interface Unit | 4-1 |
| 4-2. Removing and Attaching the Interface Unit Cover | 4-1 |
| 4-3. MODE Switch (For output format F, G, and H only) | 4-2 |
| 4-3-1. Detailed Description of MODE Switches | 4-3 |
| 4-4. Changing the Settings (For output format F, and G only) | 4-4 |
| 4-4-1. Changing the Direction | 4-4 |
| 4-4-2. Changing the Resolution | 4-4 |
| 4-4-3. Setting the Alarm Reset Mode | 4-5 |
| 4-5. Scale Signal Output | 4-6 |
| 4-5-1. A/B Signal Relationship (For output format A only) | 4-6 |
| 4-5-2. A/B Signal Output Specifications | 4-6 |
| 4-5-3. Alarm (For output format A only) | 4-6 |
| 4-5-4. Analog Output Specifications | 4-7 |
| 5. Input/Output Connectors | 5-1 |
| 5-1. Connectors | 5-1 |
| 5-2. Connection Specifications | 5-2 |
| 5-2-1. A/B Signal Output Type | 5-2 |
| 5-2-2. Analog Output Type | 5-4 |
| 6. Main Specifications | 6-1 |
| 7. Dimensions | 7-1 |
| 8. Trouble Prevention | 8-1 |

1. Overview

1-1. Introduction

The BL55-NE series is an open-type LASERSCALE with integrated detector. The interface unit is supplied with DC power at +5 V for output of A/B or analog signals.

1-2. Main Features

- Head signal cycle of 0.4 μm allows the interpolation error to be disregarded
- Optical integrated circuits employing the latest semiconductor technology are used to achieve a compact and low-energy design
- Theoretically not affected by changes in temperature, air pressure, or by atmospheric fluctuations and uses low-expansion glass for enhanced measurement stability
- Maximum speed: 3,000 mm/s (analog output)

1-3. Series Models

| Model name | Measuring length |
|------------------|------------------|
| BL55-003NE ●●●●● | 30 mm |
| BL55-007NE ●●●●● | 70 mm |
| BL55-012NE ●●●●● | 120 mm |
| BL55-017NE ●●●●● | 170 mm |
| BL55-022NE ●●●●● | 220 mm |
| BL55-027NE ●●●●● | 270 mm |
| BL55-032NE ●●●●● | 320 mm |
| BL55-037NE ●●●●● | 370 mm |
| BL55-042NE ●●●●● | 420 mm |

Table 1-1

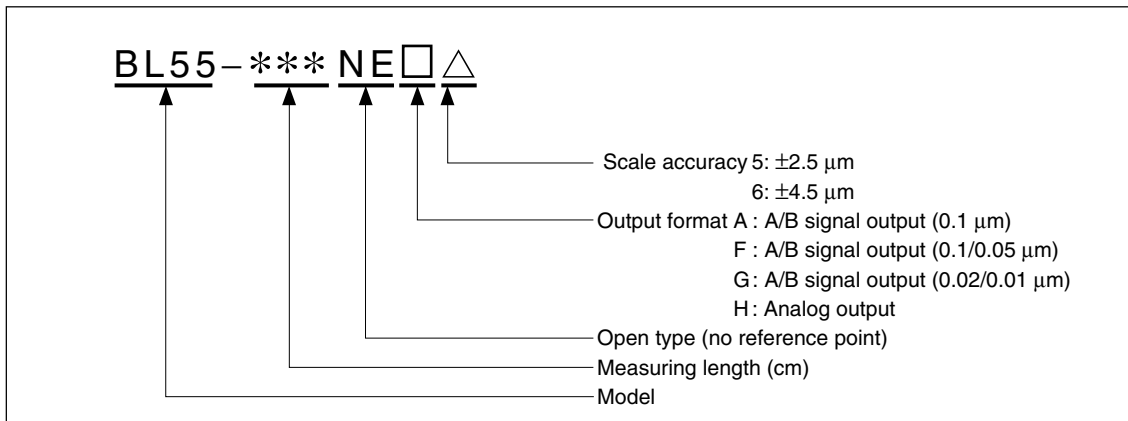


Fig. 1-1

Examples

- BL55-007NEA5 : 70 mm, Open type with no reference point, A/B signal output (0.1 μm), ±2.5 μm
- BL55-027NEG6 : 270 mm, Open type with no reference point, A/B signal output (0.02/0.01 μm), ±4.5 μm
- BL55-017NEH5 : 170 mm, Open type with no reference point, Analog output, ±2.5 μm

2. Names and Functions of Parts

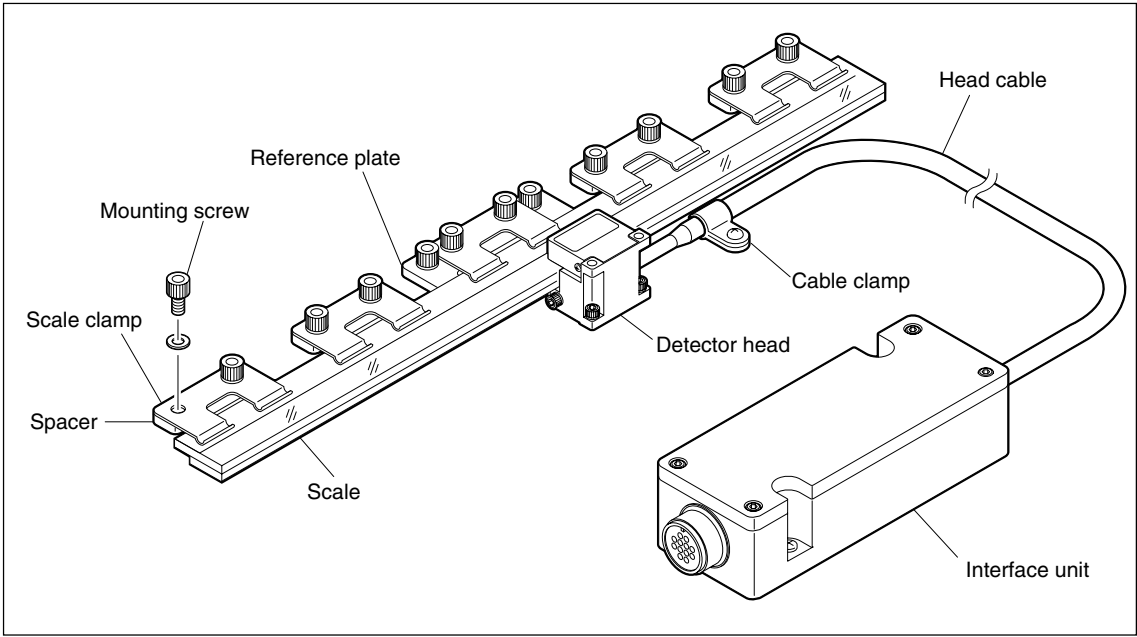


Fig. 2-1

3. Mounting and Adjustment

Follow the procedure below. (For details refer to the corresponding pages.)

- 3-1. Mounting Precautions 3-1
 - 3-1-1. When Mounting 3-1
 - 3-1-2. Mounting Requirements 3-2
- 3-2. Mounting Surface Preparations 3-3
- 3-3. Scale Mounting 3-4
- 3-4. Detector Head Mounting 3-8
- 3-5. Signal Adjustment 3-9
 - 3-5-1. Signal Adjustment Preparations 3-9
 - 3-5-2. Azimuth Adjustment 3-10
- 3-6. Completion of Mounting and Adjustment 3-11

3-1. Mounting Precautions

3-1-1. When Mounting

- The scale and the detector head are adjusted to each other. If using more than one scale unit, be sure that the scale-head combinations have matching serial numbers.
- Consider the mounting position (Abbe error) and the environmental conditions (temperature, humidity, vibration and dust) thoroughly.
- Do not lead the head cable through the same duct with the power cable.
- Set the maximum travel of the machine’s moving part shorter than that of the scale.
Scale’s max. travel = measuring length +10 mm/0.39" (5 mm/0.20" per each side)
(If the scale’s max. travel is exceeded, the scale unit signals will not be output and an error will occur.)
- For the scale unit, scale signal adjustment is necessary after mounting. When mounting the scale to the machine, make sure that there is enough space for the adjustment. (See pages 3-3 to 3-11.)

3-1-2. Mounting Requirements

Measuring Instruments

- Lever type dial gauge (resolution: 2/1000 mm/0.00008" or 1/1000 mm/0.00004") (1)
- Dial gauge stand (1)
- Oscilloscope (1)
Capable of 2-quadrant X-Y display
Input sensitivity : DC 0.1 V/DIV
X-Y frequency band : 1 MHz or more

Tools

- Hex. wrenches: 3 mm, 2 mm (1 each)
- Philips screwdriver No. 1 (1)

Miscellaneous

- Accessories (1 set)
- Gauze (Small amount)
- Alcohol (Small amount)

3-2. Mounting Surface Preparations

1. Check the mounting surface range (the shaded sections in the figure) and accuracy.
2. Check the accuracy of the mounting screw coordinates.
3. The detector head can be attached in reverse.

| | | |
|--------------------------------|---------------------------------------|--------------------------|
| Scale mounting surface | Roughness (Rmax) | 6.3S /250 μ inch |
| | Flatness | 0.01 mm/0.00039" or less |
| | Parallelism to machine travel | 0.01 mm/0.00039" or less |
| Detector head mounting surface | Roughness (Rmax) | 12.5S /500 μ inch |
| | Parallelism to scale mounting surface | 0.03 mm/0.00118" or less |

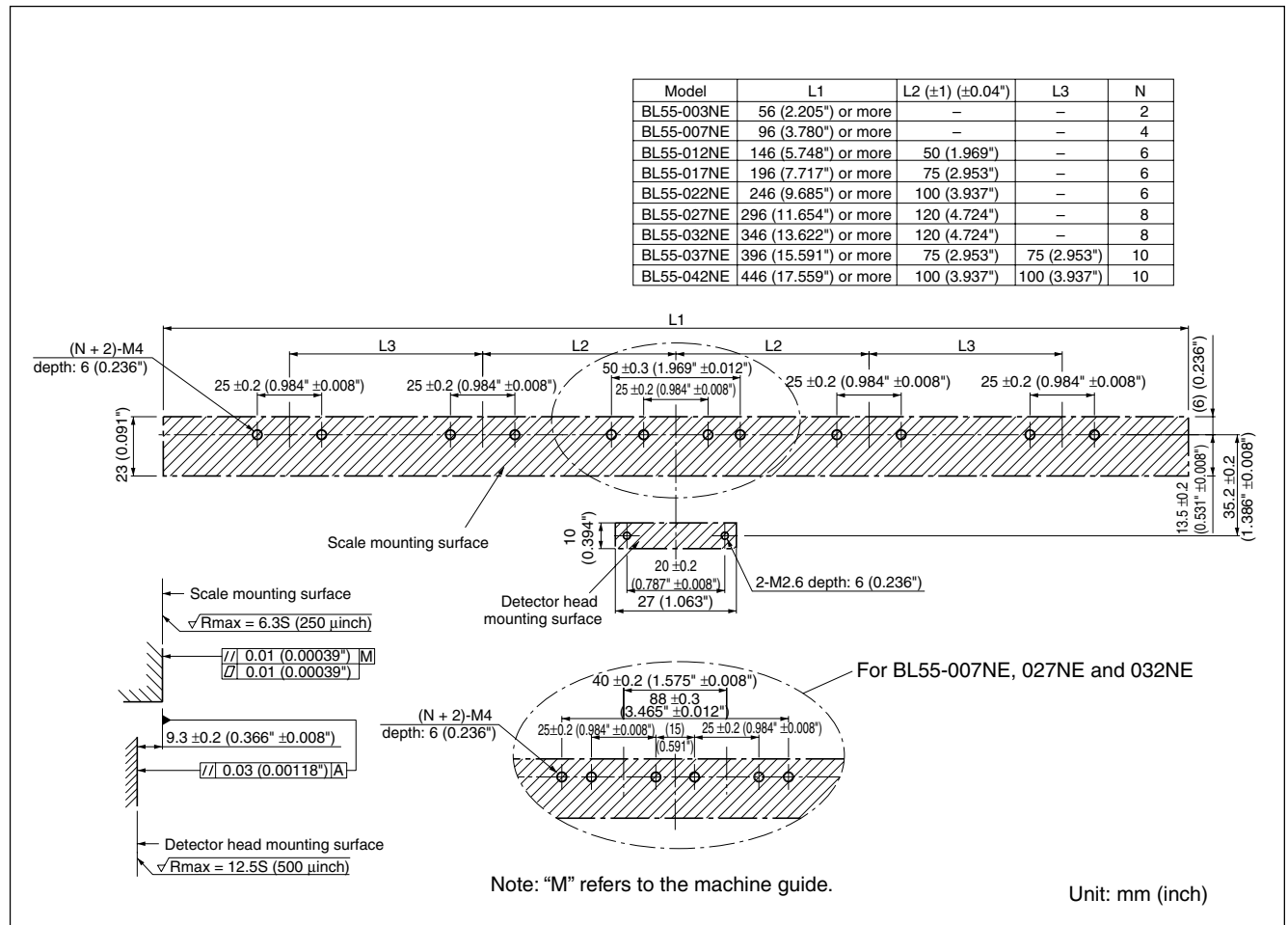


Fig. 3-1

3-3. Scale Mounting

- 1 Check that there is no dust or other foreign substances on the mounting surface, and mount the reference plate parallel to the machine guide as shown in the figure. (Fastening torque: 1.4 N · m)
The reference hole is located on the left, as shown in the figure. Adjust at the right side while observing the parallelism with the lever type dial gauge.

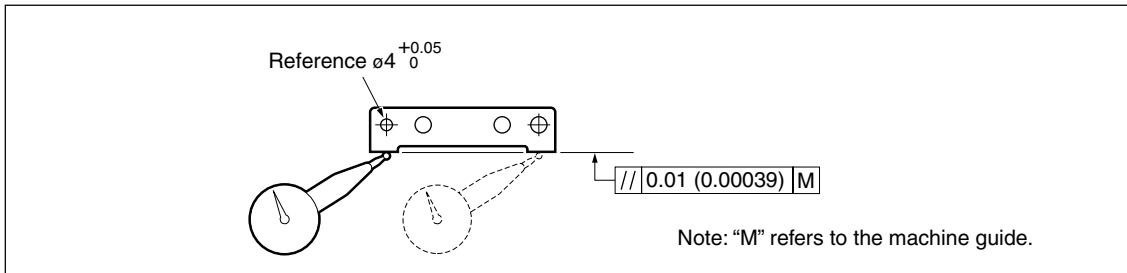


Fig. 3-2

Note

The scale is pressed against the reference plate for parallelism when mounting. The reference plate is vital to accurate scale mounting. Be sure to always use the supplied screw and mount it exactly as described in the specifications.

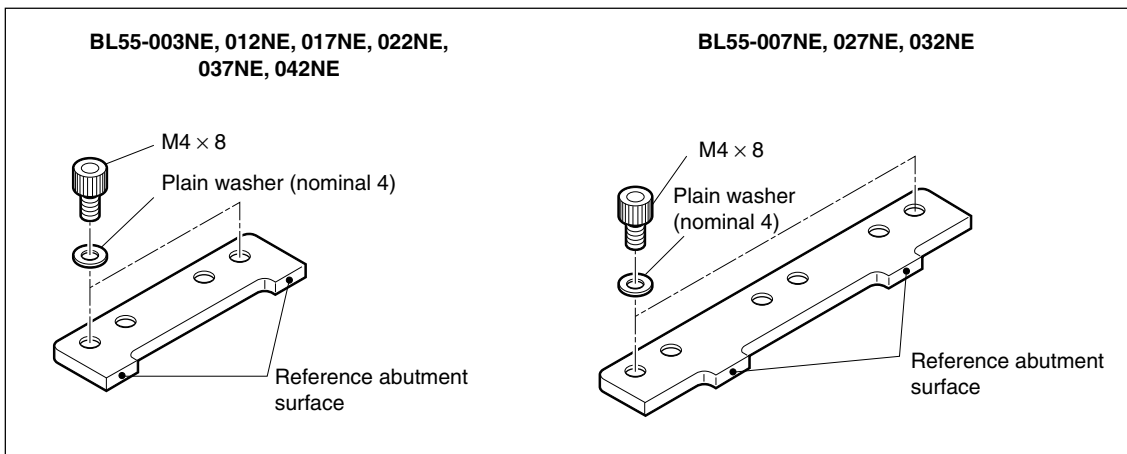


Fig. 3-3

- 2** Attach the scale clamps loosely (1 or 2 full turns looser than the semi-tightened position) by using the mounting screws, as shown in the figure.

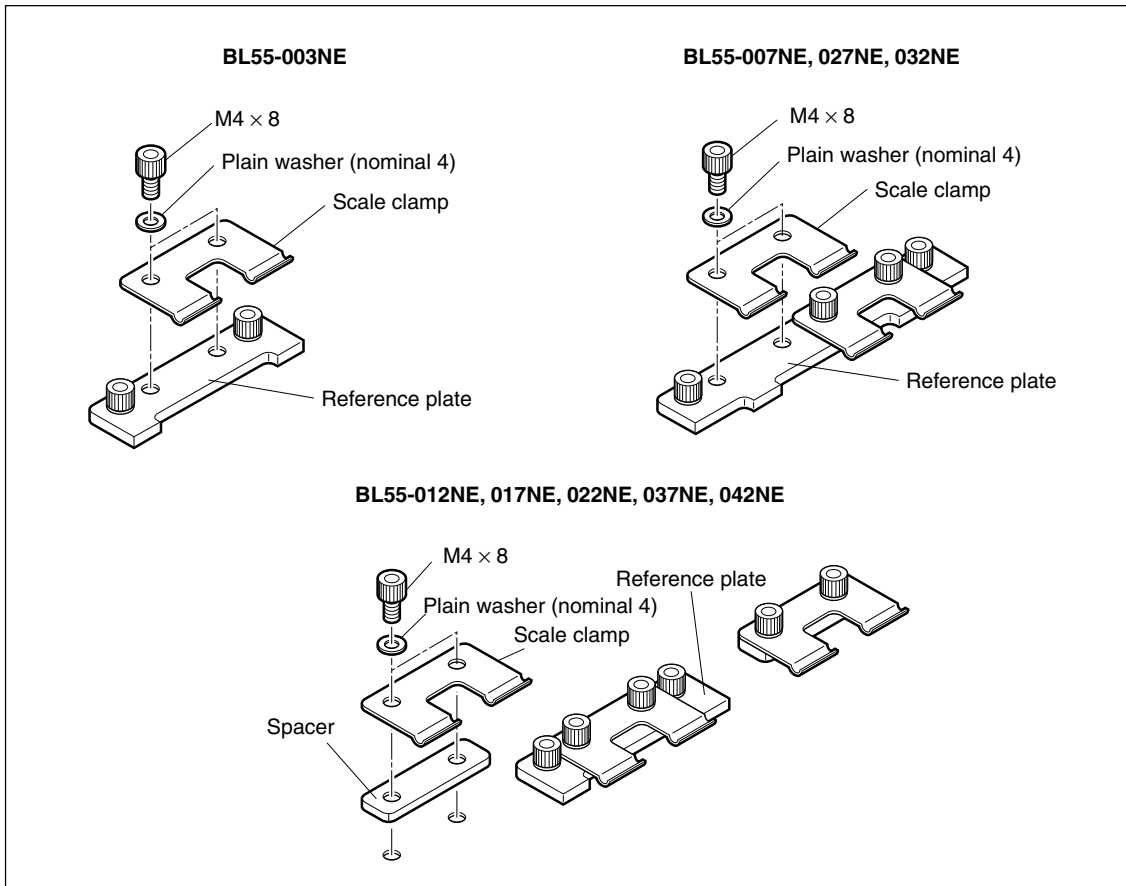


Fig. 3-4

- 3** Check the mounting surface and the datum surface of the scale for dust and dirt. If the surfaces are dirty, wipe them clean with gauze moistened with alcohol.

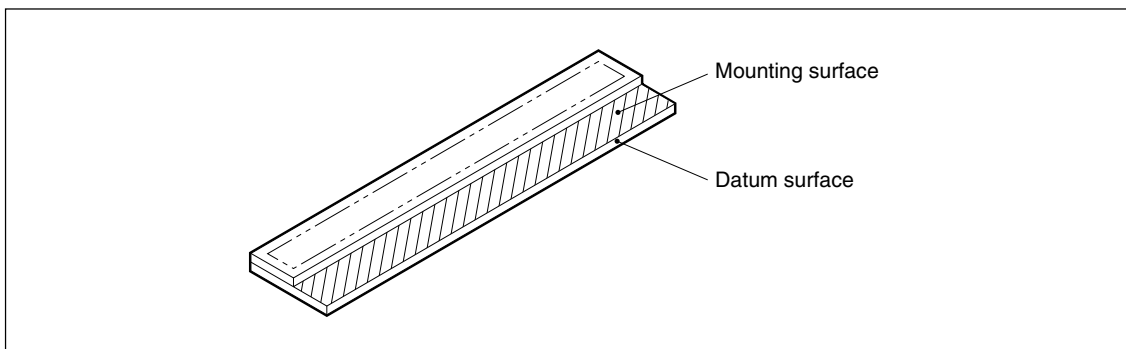


Fig. 3-5

- 4** Insert the scale between the scale clamp and the mounting surface while pressing the datum surface of the scale (see Fig. 3-3) lightly against the reference abutment surface (Note). Gradually and alternately tighten screws A and B of the scale clamp indicated in the figure. (Use only the left-side scale clamp for clamps with two screws, and use the center scale clamp for clamps with three screws.) (Final fastening torque: 1.4 N · m)

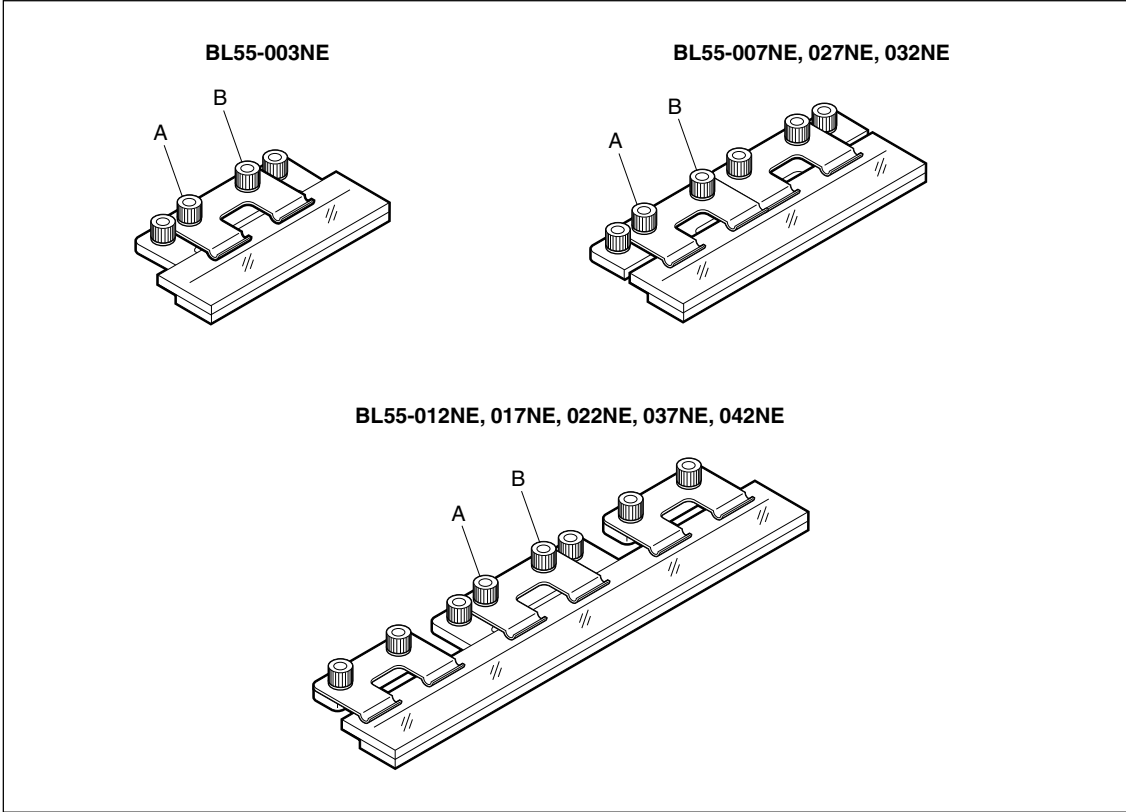


Fig. 3-6

Note

When pressing the scale against the datum surface, lightly press two points on the edge of the scale surface opposite the datum surface with your fingers with a force of 9.8 N or less as shown in Fig. 3-7 on the left. If the middle part of the scale is pressed with a force of 4.9 N or more as shown in Fig. 3-7 on the right, or if the scale is installed with deformation, the specified accuracy cannot be achieved. (This also applies to the following procedures. If it appears that the scale has been bent by force, loosen the scale clamp and mount it again properly.)

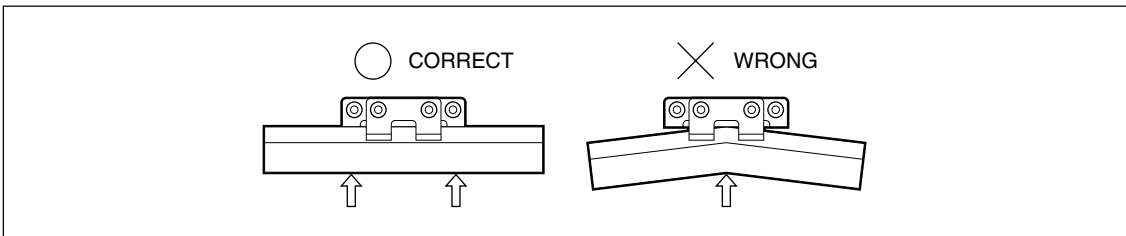


Fig. 3-7

- 5 Leave the scale in the condition of Fig. 3-6 for one hour or more until the scale temperature stabilizes.
- 6 Secure the remaining scale clamps by gradually and alternately tightening screws A and B. (Use only the right-side scale clamp for clamps with two screws, and use the right-side and the left-side scale clamps for clamps with three screws.) (Final fastening torque: 1.4 N · m)

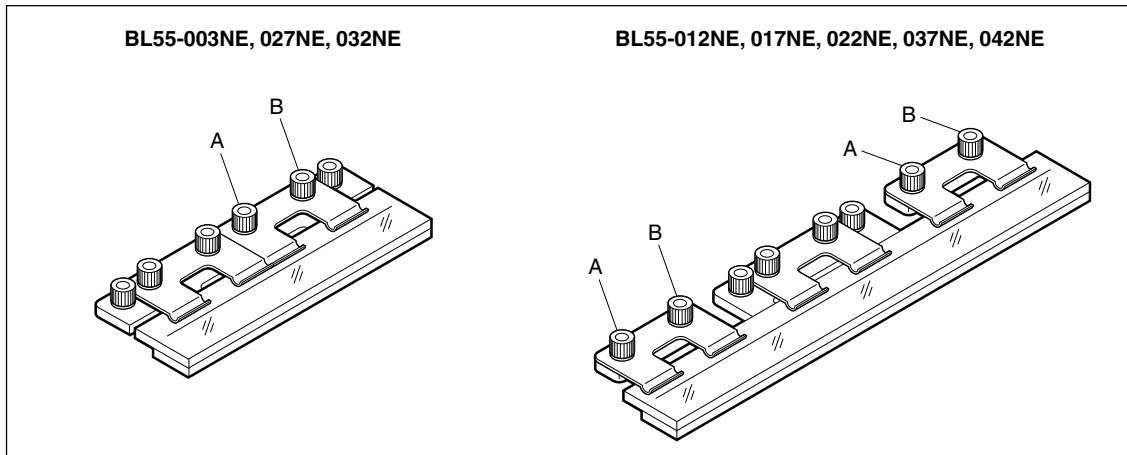


Fig. 3-8

- 7 Fasten scale clamps on both ends of the scale with the same torque. (Final fastening torque: 1.4 N · m)

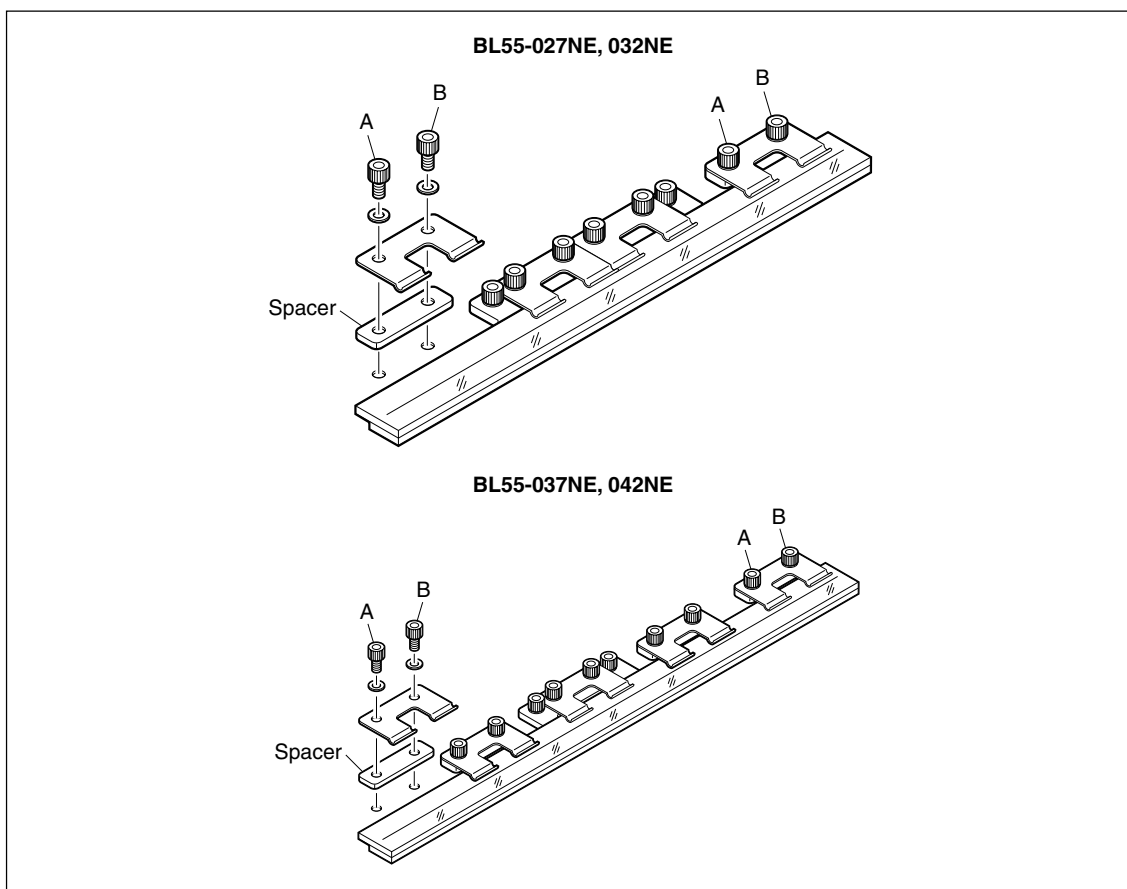


Fig. 3-9

- 8 Check the surface of the scale for oil and dust. If the surface is dirty, wipe it clean with gauze moistened with alcohol. Be sure to wipe off oil and dust on the surface thoroughly.

3-4. Detector Head Mounting

- 1 Move the machine table and adjust the mounting position of the detector head to roughly the center of the scale.
- 2 Use the supplied mounting screws to semi-tighten the detector head.

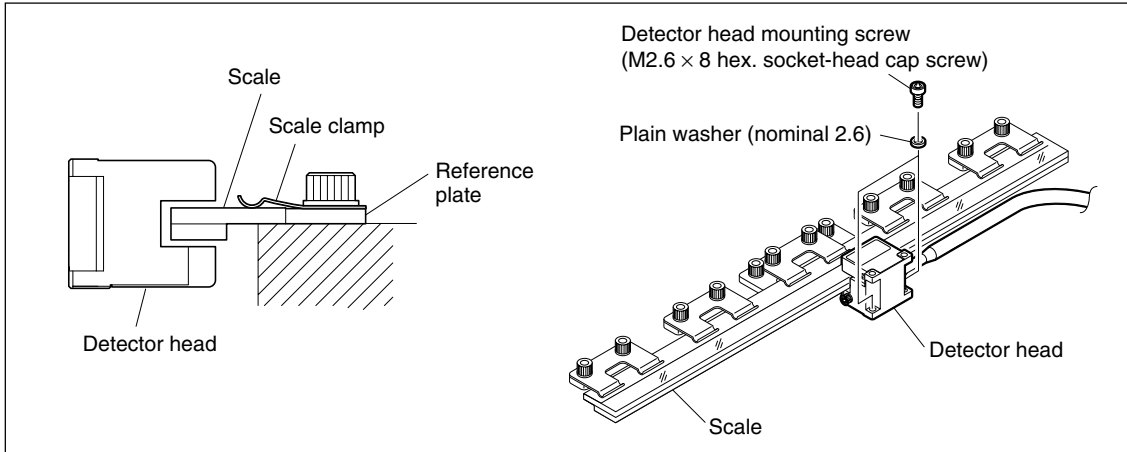


Fig. 3-10

- 3 Remove the stopper from the detector head.

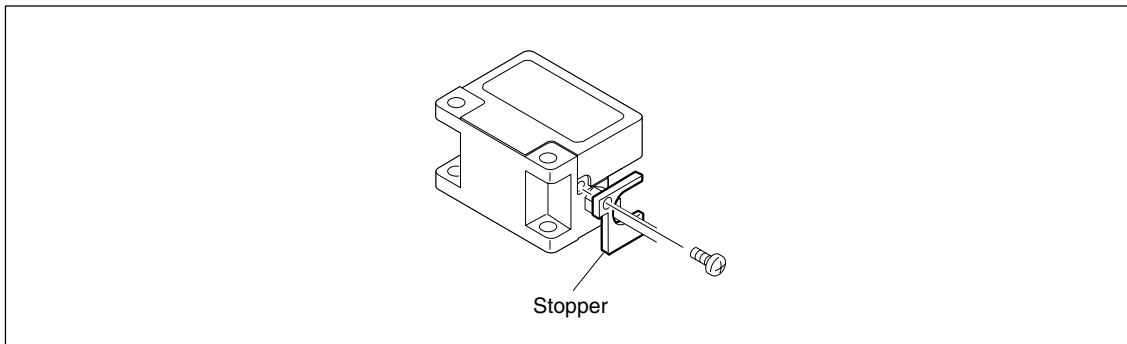


Fig. 3-11

3-5. Signal Adjustment

3-5-1. Signal Adjustment Preparations

Check that the interface unit is turned off.

Refer to section 4-2 for removing and attaching the cover of the interface unit.

1 Connect the CH1 probe of the oscilloscope to the check pins*1 of the interface unit.

*1 Output format A : TP301 (SIN) and TP61 (AGND)

Output format F, G, or H : TP3 and TP8

2 Connect the CH2 probe of the oscilloscope to the check pins*2 of the interface unit.

*2 Output format A : TP351 (COS) and TP61 (AGND)

Output format F, G, or H : TP2 and TP7

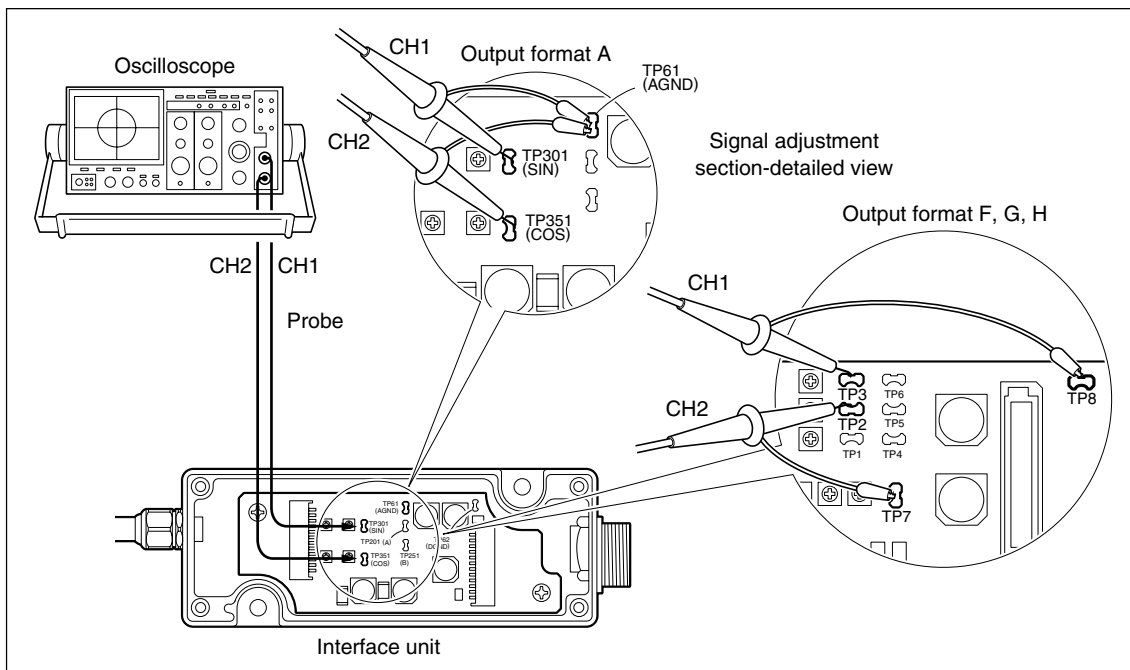


Fig. 3-12

3 Set the TIME/DIV switch to the X-Y mode.

4 Set the deviation sensitivity (VOLTS/DIV) of CH1 and CH2 to 0.5 V/DIV.

5 Set the input coupling switches of CH1 and CH2 of the oscilloscope to GND, and adjust the position of the oscilloscope so that the signal is at the screen center for output format A and the signal is at the bottom left for output format F, G, and H.

6 Set the input coupling switches of CH1 and CH2 of the oscilloscope to DC.

7 Turn the interface unit's power on.

Note

Be sure that the interface unit is turned off before attaching or removing the probe of the oscilloscope.

3-5-2. Azimuth Adjustment

The direction shown in the figure below is referred to as the azimuth direction. A stable output signal within the range of the specified values can be obtained by adjusting the detector head direction.

<Specified values>

A/B signal output type Output format A : Amplitude 0.9 Vp-p to 1.8 Vp-p

Output format F : Amplitude 0.7 Vp-p to 1.3 Vp-p

Output format G : Amplitude 0.8 Vp-p to 1.2 Vp-p

Analog output type Output format H : Amplitude 0.3 Vp-p to 0.6 Vp-p

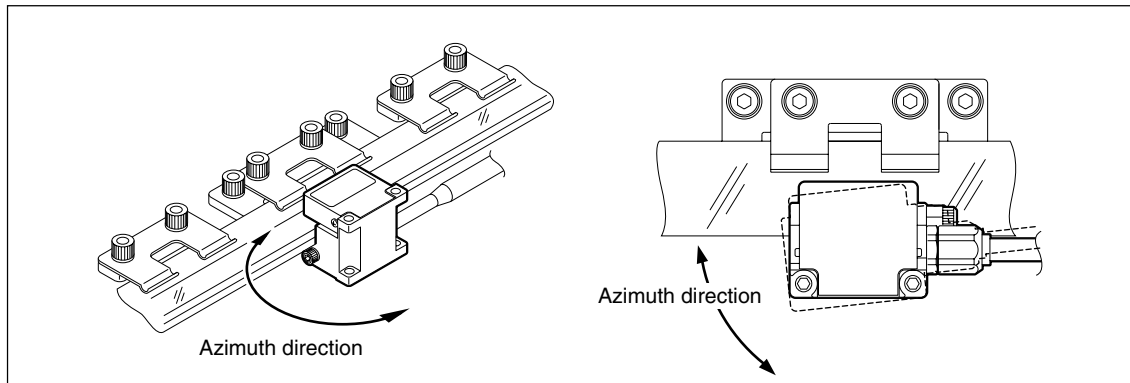


Fig. 3-13

- 1 Loosen the detector head mounting screws.
- 2 Rotate the detector head as shown in Fig. 3-13, until you find the point where the amplitude of the Lissajous' figure is at a **maximum**.
- 3 Alternately tighten the two detector head mounting screws little by little at the detector head position with the maximum amplitude of the Lissajous' figure. (Fastening torque: 0.8 N · m)
- 4 Check that there is no interference between the scale and detector head.

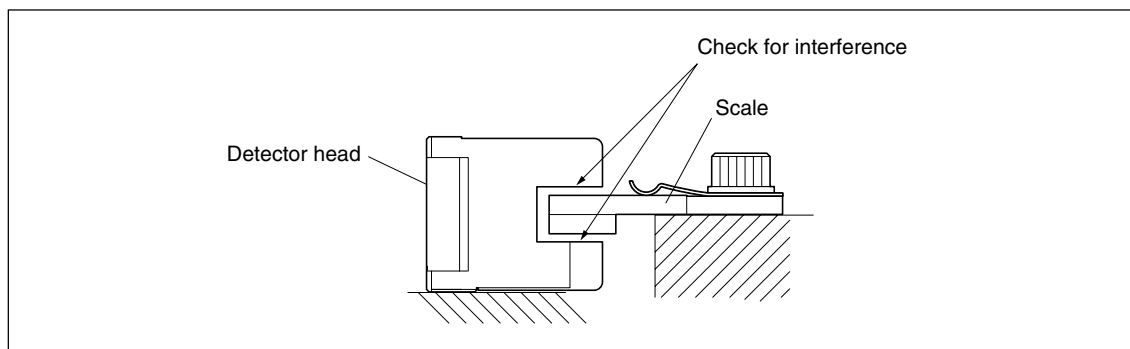


Fig. 3-14

- 5 Move the scale, and make sure that the amplitudes A and B (see Fig. 3-15) of the Lissajous' figure are within the range of the specified values over the entire length.

<Specified values>

A/B signal output type Output format A : Amplitude 0.9 Vp-p to 1.8 Vp-p

Output format F : Amplitude 0.7 Vp-p to 1.3 Vp-p

Output format G : Amplitude 0.8 Vp-p to 1.2 Vp-p

Analog output type Output format H : Amplitude 0.3 Vp-p to 0.6 Vp-p

Note

For output format A, the center of the Lissajous' figure is 0 V. For output format F, G, and H, the center of the Lissajous' figure is 2.5 V.

If the output of 1 Vp-p cannot be obtained even through repeated adjustment, recheck the mounting surface accuracy of the scale and detector head (refer to pages 3-3), and check again that there is no dirt on the scale's surface.

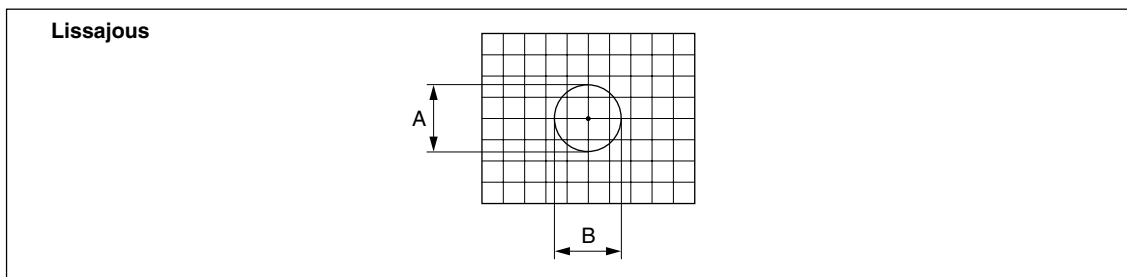


Fig. 3-15

3-6. Completion of Mounting and Adjustment

- Secure the cable with the supplied cable clamp and pan-head screw (M4 × 8).
- Before using the scale to perform measurements, allow the scale to set for about three hours after mounting so that the secured parts can stabilize and the ambient temperature around the scale can stabilize.

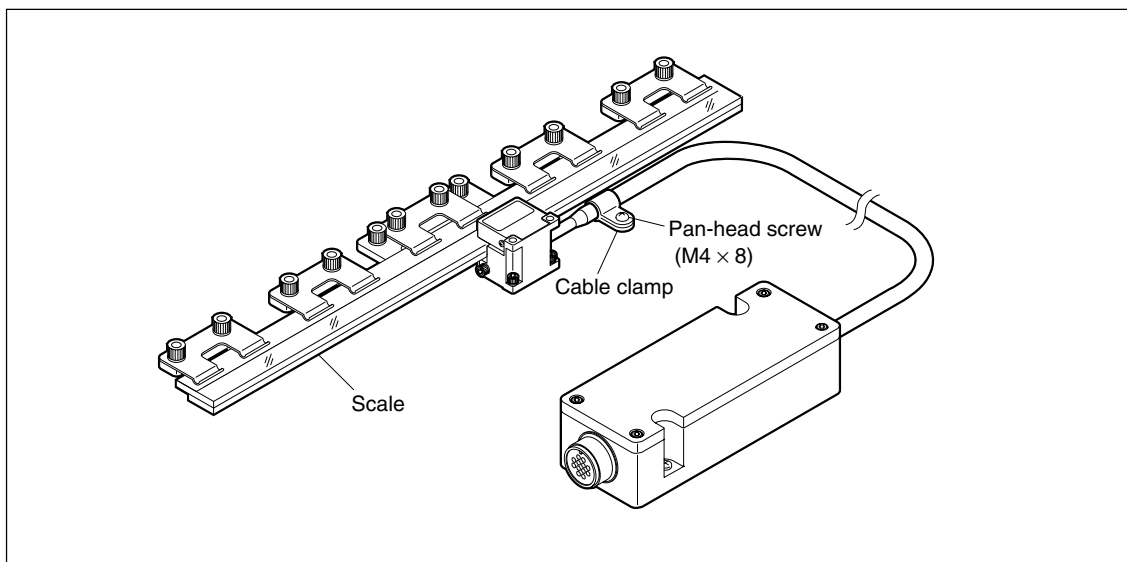


Fig. 3-16

4. Interface Unit

4-1. Installing the Interface Unit

Use the supplied screws to secure and attach the interface unit.

Firmly screw in the output connector.

Screw/Tightening torque ... M4 × 12: 2 pcs. / 2.7 N · m

Note

Do not insert or remove the output connector while power is supplied to the interface unit.

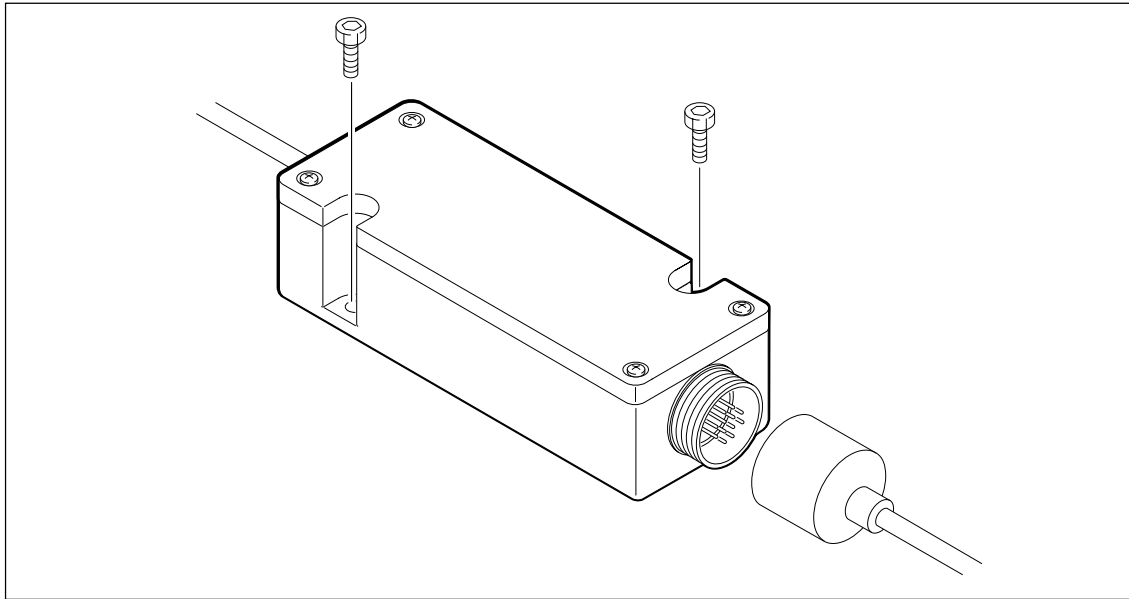


Fig. 4-1

4-2. Removing and Attaching the Interface Unit Cover

To set or check the functions, remove the four screws, and then take off the interface unit cover.

To attach the interface unit cover, tighten the removed screws in their original positions.

Tightening torque 0.3 N · m

Note

Be careful not to lose the screws when you remove them.

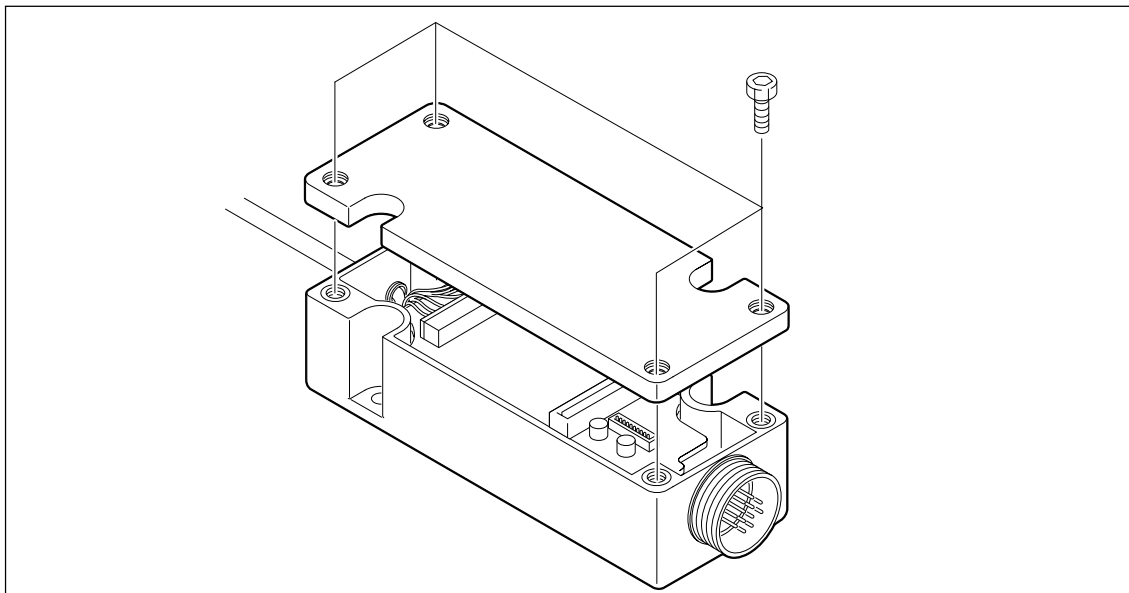


Fig. 4-2

4-3. MODE Switch (For output format F, G, and H only)

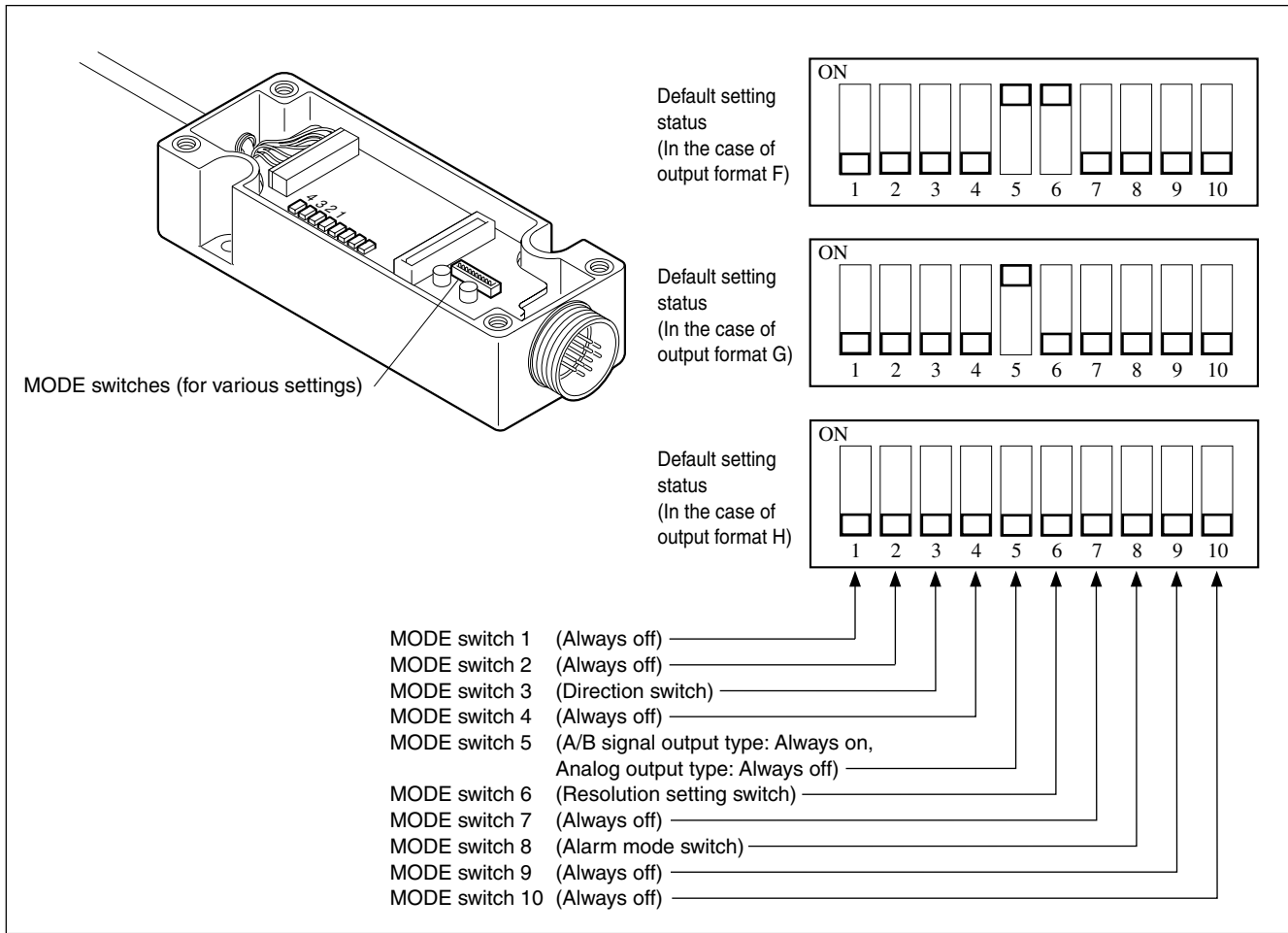


Fig. 4-3

| MODE switches | A/B signal output type | Analog output type | |
|---------------|---|---|------------|
| 1 | Always OFF | Always OFF | |
| 2 | Always OFF | Always OFF | |
| 3 | ON B signal is leading OFF A signal is leading | Always OFF | |
| 4 | Always OFF | Always OFF | |
| 5 | Always ON | Always OFF | |
| 6 | Output format F: ON 0.1 μ m OFF 0.05 μ m | Output format G: ON 0.02 μ m OFF 0.01 μ m | Always OFF |
| 7 | Always OFF | Always OFF | |
| 8 | ON Hold Mode OFF Automatic Reset Mode | Always OFF | |
| 9 | Always OFF | Always OFF | |
| 10 | Always OFF | Always OFF | |

Table 4-1

4-3-1. Detailed Description of MODE Switches

A/B signal output types

MODE switches 1, 2, 4, 7, 9 and 10

These switches are not used. Always use in the OFF setting.

MODE switch 3 (Direction switch)

This switch is used to change the positional relationship between scale movement direction and A/B signal. For more information, see section 4-4-1, "Changing the Direction."

MODE switch 5

This switch is not used. Always use in the ON setting.

MODE switch 6 (Resolution setting switch)

This switch is used to set the resolution. For output form F types, setting this switch to ON sets 0.1 μm and setting to OFF sets 0.05 μm . For G types, setting to ON sets 0.02 μm and setting to OFF sets 0.01 μm .

MODE switch 8 (Alarm mode switch)

This switch is used to select the alarm output format.

For more information, see section 4-4-3, "Setting the Alarm Reset Mode."

Analog output types

For analog output type, always use in the OFF setting.

Analog output types do not have alarm output.

4-4. Changing the Settings (For output format F, and G only)

Any necessary changes to the settings can only be made for A/B signal output types.

For analog output type, always use with all switches in the OFF setting.

4-4-1. Changing the Direction

MODE switch 3 (Direction switch) is used to change the positional relationship of the A/B signal with respect to the scale movement direction.

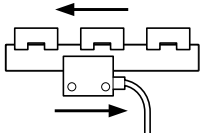
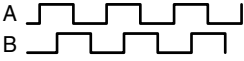

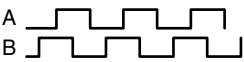
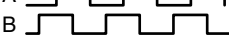
| | | |
|---------------|--|--------------------------|
| MODE switch 3 |  | Moves to head cable side |
| OFF | A  B  | A signal is leading |
| ON | A  B  | B signal is leading |

Table 4-2

Note

For output format A, refer to section 4-5-1.

4-4-2. Changing the Resolution

MODE switch 6 (resolution setting switch) is used to change the resolution of the A/B signal output type.

In the case of output format F: ON = 0.1 μm

In the case of output format G: ON = 0.02 μm

OFF = 0.05 μm

OFF = 0.01 μm

4-4-3. Setting the Alarm Reset Mode

The MODE switch 8 (alarm mode switch) setting is used to switch between the automatic reset mode for automatically resetting the alarm or the hold mode for holding the alarm until the power is turned on again.

Automatic reset mode

The alarm signal is output for approximately 400 ms. The alarm is automatically reset after approximately 400 ms if the cause of the alarm is cleared within this time. If the cause of the alarm is not cleared within approximately 400 ms, it will be reset once the cause of the alarm has been cleared.

This mode is the default setting.

Hold mode

When the scale is in alarm status, the alarm status continues to be held even after the element causing the alarm is removed. The alarm is reset when the power is turned off and then on again if the cause of the alarm has been cleared.

| MODE switch 8 (alarm mode switch) | Alarm mode |
|-----------------------------------|----------------------|
| OFF | Automatic reset mode |
| ON | Hold mode |

Table 4-3

The A/B signal is high impedance during the alarm status.

Note

For output format A, refer to section 4-5-3.

4-5. Scale Signal Output

4-5-1. A/B Signal Relationship (For output format A only)

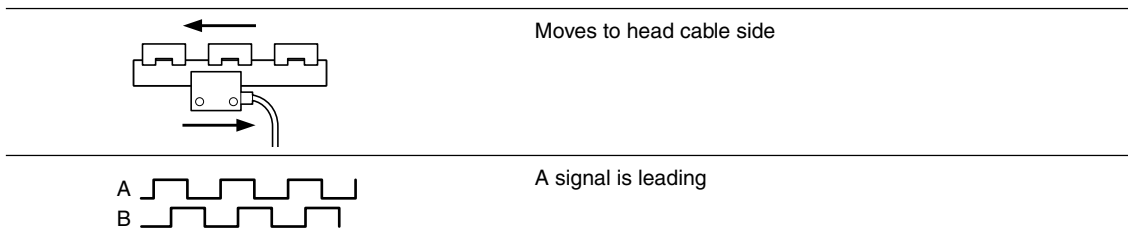


Table 4-4

Note

- The phase relationship between the A/B output signal is fixed. If the movement direction does not match the connected controller, switch the A and B signal when connecting to the controller.
- For output format F and G, refer to section 4-4-1.

4-5-2. A/B Signal Output Specifications

- The output specifications are compliant with EIA-422.
- A/B signal minimum phase difference t
 Output type A : 80 ns
 Output type F, G : 38 ns

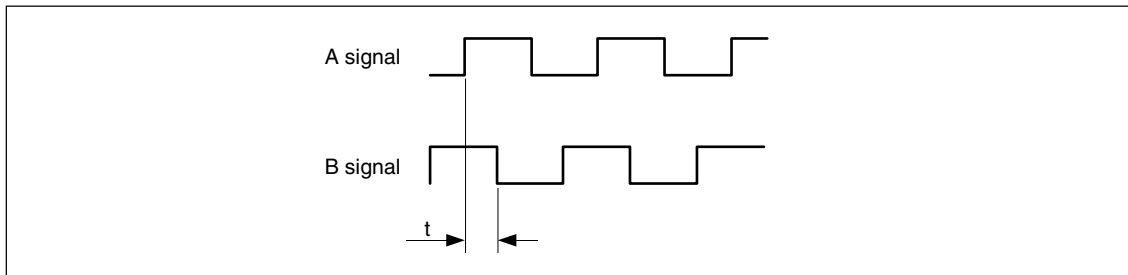


Fig. 4-4

Note

- The minimum phase error can vary depending on the length of the output cable, cable capacity, receiver load, and other factors.
- In output format F and G, the A/B output signal is synchronized by a 26.3 MHz internal clock, and so this results in an error of approximately 38 ns.

4-5-3. Alarm (For output format A only)

When an error occurs in the signal level, the scale enters the alarm status for about one second. The alarm is automatically reset after about second if the cause of the alarm is cleared within this time. If the cause of the alarm is not cleared within about one second, it will be reset once the cause of the alarm has been cleared. During the alarm status, the A/B signal output signal is high impedance.

Note

For output format F and G, refer to section 4-4-1.

4-5-4. Analog Output Specifications

SIN/COS output specifications

(Over the entire length and the entire operating temperature range)

| Item | Symbol | Specifications | | | Units | Remarks |
|--------------------------------|---|----------------|------|------|----------|----------|
| | | Min. | Typ. | Max. | | |
| Output signal amplitude | $(+V_A) - (-V_A), (+V_B) - (-V_B)$ | 0.6 | 1 | 1.2 | Vp-p | Note 1 |
| Output signal phase difference | | 80 | 90 | 100 | deg | |
| Center voltage | $+V_{OA}, +V_{OB}, -V_{OA}, -V_{OB}$ | 2.3 | 2.5 | 2.7 | V | |
| Offset voltage | $(+V_{OA}) - (-V_{OA}),$ $(+V_{OB}) - (-V_{OB})$ | -50 | 0 | 50 | mV | |
| Gain unbalance | | -6 | 0 | 6 | % | System 1 |
| Load resistance | | | 120 | | Ω | |

Table 4-5

Note 1: When terminator $Z_0 = 120 \Omega$, supply voltage = $5 \text{ V} \pm 5 \%$ (voltage of load resistance at both ends)
The level of the output signal is reduced as the scanning frequency increases.

System 1: $\frac{\text{A signal output voltage p-p value} - \text{AB signal output average}}{\text{AB signal output average}} \times 100$

where

$$\text{AB signal output average} = \frac{\text{A signal output voltage p-p value} + \text{B signal output voltage p-p value}}{2}$$

Output waveform diagram (when each output is viewed based on 0 V)

The A signal corresponds to SIN, and the B signal corresponds to COS.

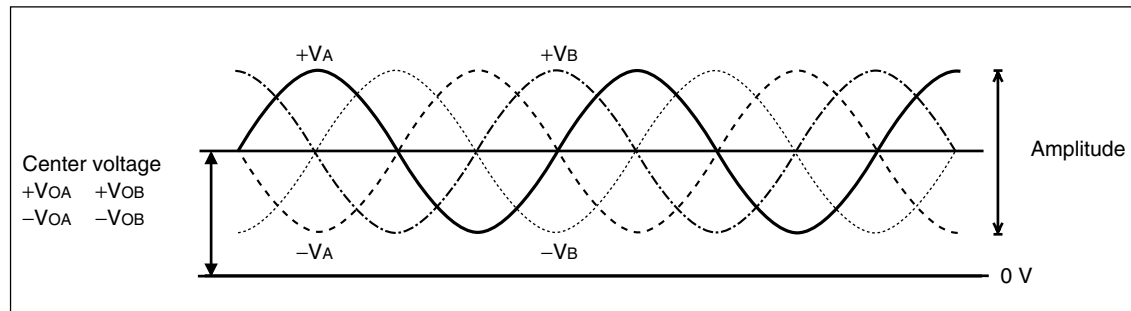


Fig. 4-5

5. Input/Output Connectors

5-1. Connectors

Interface unit side

: R04-R12M (manufactured by TAJIMI ELECTRONICS CO., LTD.)

Cable side : R04-P12F (manufactured by TAJIMI ELECTRONICS CO., LTD.) Waterproof type

: R03-PB12F (manufactured by TAJIMI ELECTRONICS CO., LTD.) Non-waterproof type

| Pin arrangement | Input/output specifications | | |
|-----------------|--|---|---------------------|
| | A/B signal output (Output format A) | A/B signal output (Output format F, G) | Analog output |
| A | A | A | +COS |
| B | *A | *A | -COS |
| C | B | B | +SIN |
| D | *B | *B | -SIN |
| E | SIN | (Not connectable) | (Not connectable) |
| F | COS | (Not connectable) | (Not connectable) |
| G | +5 V (power supply) | +5 V (power supply) | +5 V (power supply) |
| H | 0 V (power supply) | 0 V (power supply) | 0 V (power supply) |
| J | 0 V (signal) | 0 V (signal) | 0 V (signal) |
| K | 0 V (signal) | 0 V (signal) | 0 V (signal) |
| L | +5 V S | +5 V S | +5 V S |
| M | 0 V S | 0 V S | 0 V S |

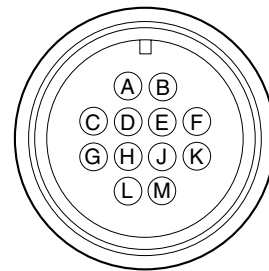


Fig. 5-1

Table 5-1

Note

- 0 V is the circuit ground, and it is not connected to the frame ground.
- Make sure that the power supply voltage is 5 V DC $\pm 5 \frac{+10}{-3} \%$ for output format A and 5 V DC $\pm 5 \%$ for output format F and G at the input connector to the interface unit.
- +5 V S and 0 V S are for checking the voltage (remote sensing function) applied to the input connector of the interface unit. These voltages can be used to check and control for drops in the supply voltage due to the cables. When using a power supply that cannot control power supply fluctuations, a power supply input terminal can be used to reduce the supply voltage drops occurring due to the cable length. In this case, connect the cable to the respective +5 V or 0 V power supply.
- The appropriate cable thickness is AWG28 to AWG24.
- Connect all of the 0 V terminals to prevent mis-wiring.
- Use shielded cables for all cabling.
- Use twisted-pair cables for the output signals.
Use cables so that the following signals are paired:
A and *A, B and *B, +SIN and -SIN, +COS and -COS.
- For output format A, SIN and COS are dedicated signals for checking the scale signal level. Never connect them to a device other than the oscilloscope.

5-2. Connection Specifications

5-2-1. A/B Signal Output Type

The line driver used by Magnescale Co., Ltd. is compliant with EIA-422.

Also, based on the EIA-422 standards, the common mode voltage between the line driver and line receiver is stipulated as ± 12 V.

(Using the scale when the common mode voltage of ± 12 V is exceeded can damage the scale.)

To prevent problems between the control devices connected to this Magnescale Co., Ltd. product, it is recommended that you connect (shared connection) the signal ground (power supply ground) and set the load resistance to 120Ω . Twisted pair cables (1 turn/1 inch min.) with a core thickness of at least AWG28 are recommended for the differential signal cables.

(It is even better if the characteristic differential impedance is the same as the load resistance value.)

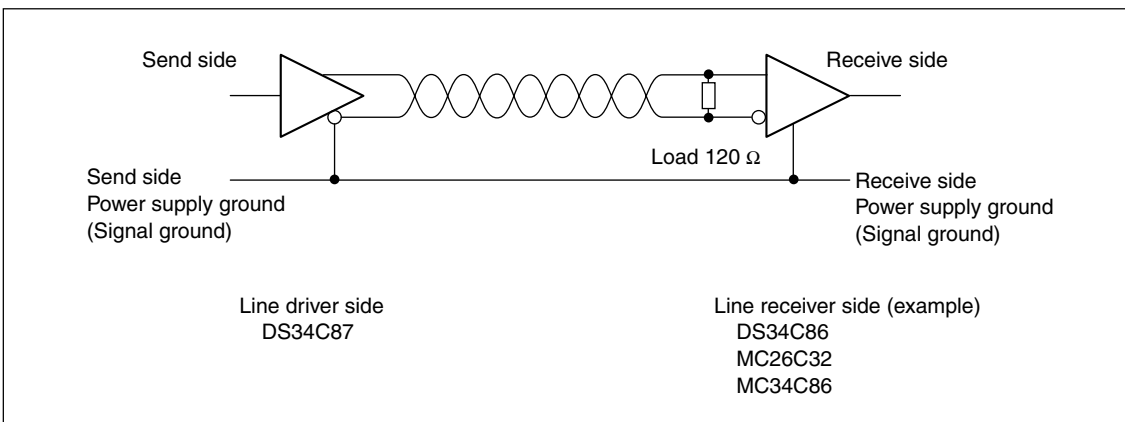


Fig. 5-2

Receiving power supplied from the controller

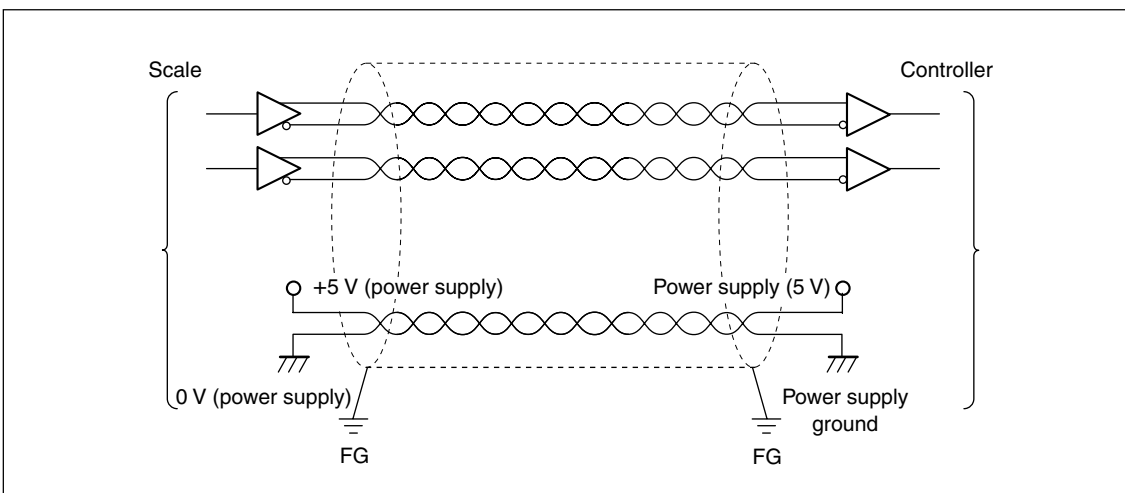


Fig. 5-3

Receiving power supplied from sources other than the controller

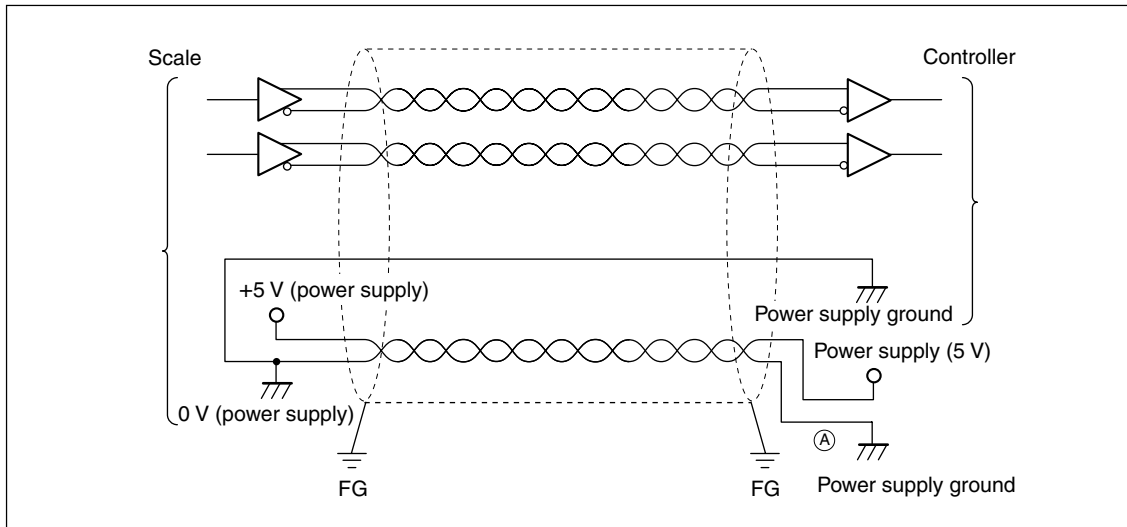


Fig. 5-4

When receiving power from sources other than the controller, the controller power supply ground and the power supply ground of the device supplying power have the same potential.

Note

- To satisfy FCC and EN, wrap the ferrite filter TFC-16816 manufactured by KITAGAWA Industries Co., LTD one turn around the power supply (5 V, ground) cable of the (A) section.
- The system will not be compliant with EN61000-6-2 if the power supply line exceeds 10 m. Devise and implement measures to prevent surges.

5-2-2. Analog Output Type

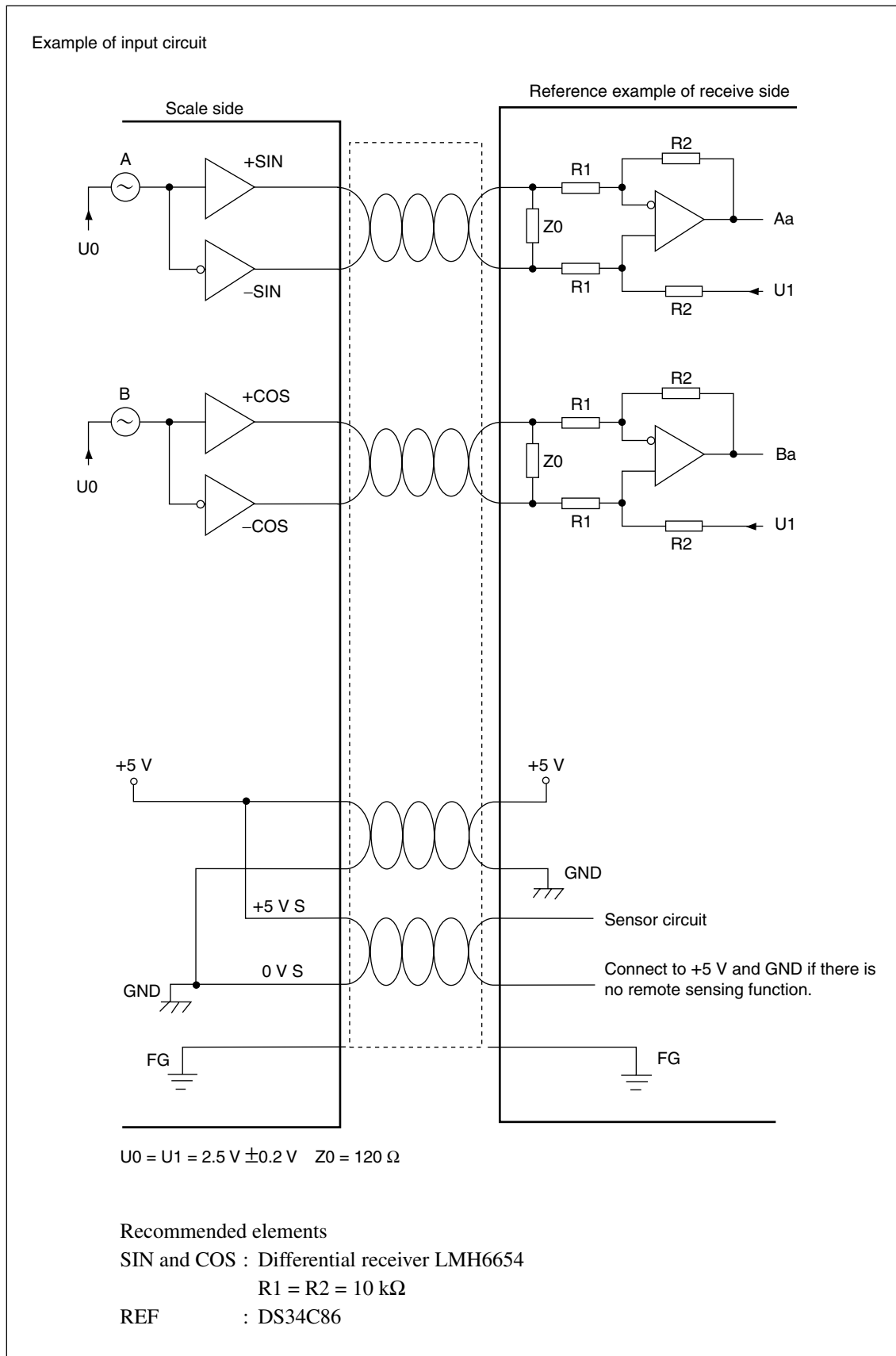

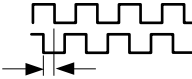


Fig. 5-5

6. Main Specifications

| Item | Performance / Functions | |
|-----------------------------------|---|--|
| | A/B signal output type | Analog output type |
| Detection system | Diffraction grating scanning system | |
| Scale length | Measuring length (mm) | 30, 70, 120, 170, 220, 270, 320, 370, 420 |
| | Measuring length | Measuring length +10 mm (5 mm on each side) |
| | Scale overall length | Measuring length +26 mm |
| Grating pitch | 1.6 μm | |
| Signal pitch | 0.4 μm | |
| Output signal | Differential (compliant with EIA-422) | Differential |
| Output resolution | Output format A : 0.1 μm Output format F : 0.1/0.05 μm (selectable) Output format G : 0.02/0.01 μm (selectable) | |
| Scale accuracy | $\pm 2.5 \mu\text{m}$ (30 to 220 mm), $\pm 4.5 \mu\text{m}$ (270 mm or higher) (Note 1) | |
| Return error | 0.05 μm or less | |
| Repeatability | 0.05 μm or less | |
| Temperature expansion coefficient | $-0.7 \times 10^{-6} / ^\circ\text{C}$ | |
| Maximum response speed | Output format A : 1000 mm/s Minimum phase difference: 80 ns | 3000 mm/s (Note 3) Max: 7.5 MHz  |
| | Output format F : 1500 mm/s (0.1 μm) 650 mm/s (0.05 μm) Minimum phase difference: 38 ns | |
| | Output format G : 300 mm/s (0.02 μm) 120 mm/s (0.01 μm) Minimum phase difference: 38 ns |  |
| | | |
| Alarms | Output format A : Signal level error; A/B output signal is in high impedance. | None |
| | Output format F, G : Max. response speed exceeded or None Signal level error; When one of these states occurs, the output signal becomes high impedance. | |
| Head cable | Cable length | 1 m (Note 2) |
| | Bending radius | Static: 30 mm Moving: 100 mm |
| Output cable length | 15 m max. (Note 4) | 15 m max. (Note 3) (Note 4) |
| Power supply | Output format A : +5 V DC $^{+10}_{-5}$ % Output format F, G, H : +5 V DC ± 5 % (Note 5) | |
| Consumption current | Output format A : 200 mA (no load)/ 250 mA (when using 120 Ω terminal) Output format F, G : 290 mA (no load)/ 350 mA (when using 120 Ω terminal) | Output format H: 250 mA (no load, when using 120 Ω terminal) |
| Vibration resistance | 100 m/s ² (50 to 2000 Hz) | |
| Impact resistance | 200 m/s ² | |
| Operating temperature range | 0 to +40 $^\circ\text{C}$ (no condensation) | |
| Storage temperature range | -10 to +50 $^\circ\text{C}$ | |
| Light source | Semiconductor laser Maximum output: 6 mW Wavelength: 790 nm | |
| Radiation power | JIS class 1 DHHS class 1 | |

Note 1: Consult with Magnescale Co., Ltd. for scales with accuracy higher than $\pm 2.5 \mu\text{m}$.

Note 2: Up to 3 m is available under special specifications. However, there are some limitations on the maximum response speed according to the cable length. (For a 3 m cable, this is a response speed of 2/3 of 1 m.)

Note 3: There is a correlation between the maximum response speed and output cable length.

| Cable length (m) | Maximum response speed (mm/s) |
|------------------|-------------------------------|
| 3 | 3000 |
| 9 | 2330 |
| 15 | 1660 |

Note 4: The system will not be compliant with EN61000-6-2 if the power supply line exceeds 10 m.

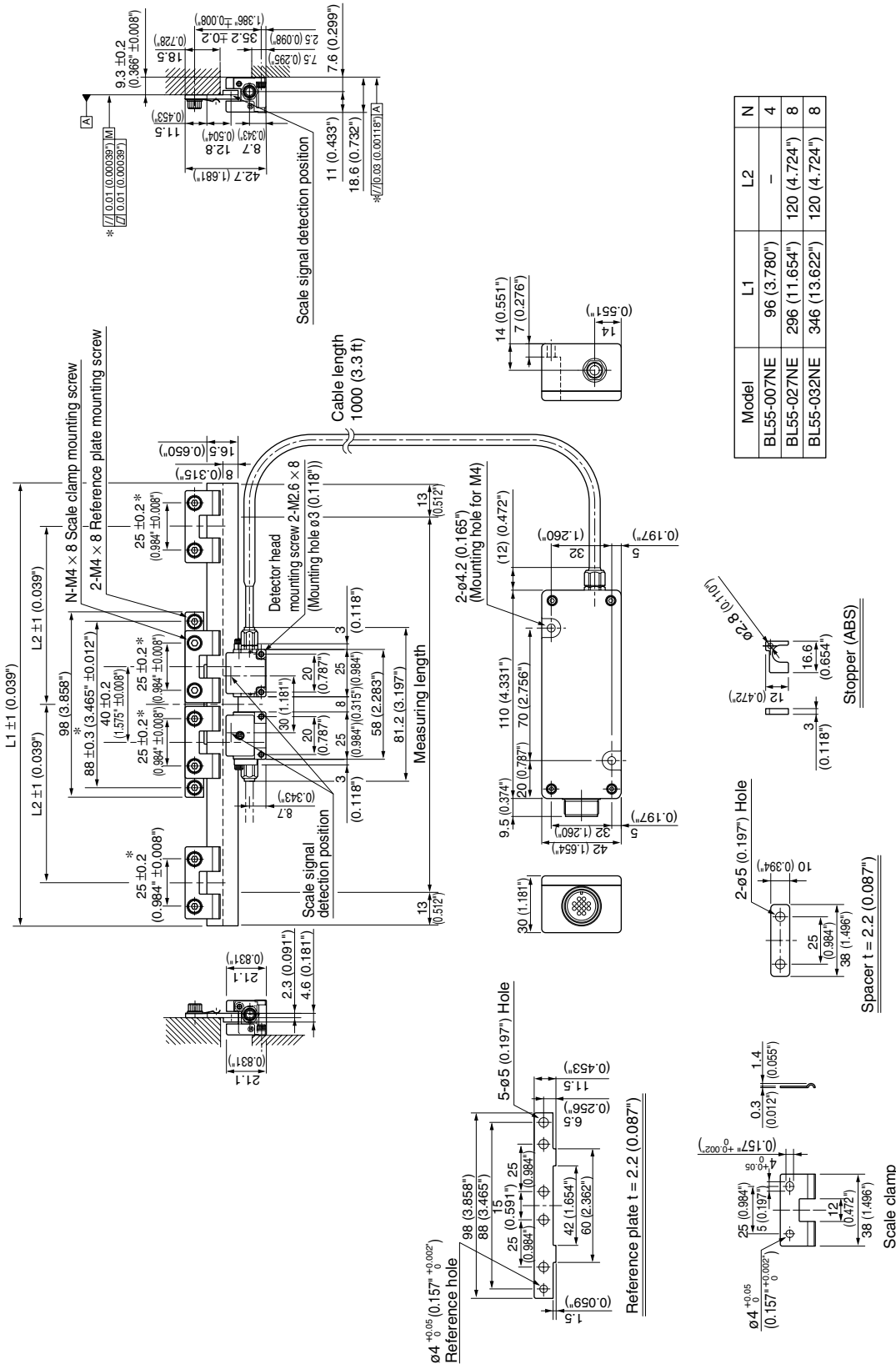
Devise and implement measures to prevent surges.

Note 5: The connector input section shall satisfy the specifications.

Accessories

| Scale measuring length | 30 | 70 | 120 | 170 | 220 | 270 | 320 | 370 | 420 |
|---------------------------------------|----|----|-----|-----|-----|-----|-----|-----|-----|
| Reference plate | 1 | 0 | 1 | 1 | 1 | 0 | 0 | 1 | 1 |
| Reference plate W | 0 | 1 | 0 | 0 | 0 | 1 | 1 | 0 | 0 |
| Spacer | 0 | 0 | 2 | 2 | 2 | 2 | 2 | 4 | 4 |
| Scale clamp | 1 | 2 | 3 | 3 | 3 | 4 | 4 | 5 | 5 |
| Hex. socket-head cap screw (M4 × 8) | 4 | 6 | 8 | 8 | 8 | 10 | 10 | 12 | 12 |
| Plain washer (nominal size 4) | 4 | 6 | 8 | 8 | 8 | 10 | 10 | 12 | 12 |
| Hex. socket-head cap screw (M4 × 10) | 2 | 2 | 2 | 2 | 2 | 2 | 2 | 2 | 2 |
| Hex. socket-head cap screw (M2.6 × 8) | 2 | 2 | 2 | 2 | 2 | 2 | 2 | 2 | 2 |
| Plain washer (nominal size 2.6) | 2 | 2 | 2 | 2 | 2 | 2 | 2 | 2 | 2 |
| Cable clamp | 1 | 1 | 1 | 1 | 1 | 1 | 1 | 1 | 1 |
| Pan-head screw (M4 × 8) | 1 | 1 | 1 | 1 | 1 | 1 | 1 | 1 | 1 |
| Accuracy table | 1 | 1 | 1 | 1 | 1 | 1 | 1 | 1 | 1 |

BL55-*NE (Measuring length 70/270/320)**



Unit: mm (inch)

- Note 1: The items marked by an asterisk indicate the machining dimensions on the mounting surface.
- Note 2: The surface roughness of the scale mounting surface is Rmax = 6.3 S (250 µin).
- Note 3: The surface roughness of the detector head mounting surface is Rmax = 12.5 S (500 µin).
- Note 4: "M" refers to the machine guide.

8. Trouble Prevention

- Repairs are required in the event of an overrun, cable damage, deformation of the scale unit, or other conditions detrimental to the functioning of the scale.
If any of these events occur, immediately stop the machine, and contact your Magnescale Co., Ltd. distributor.
- Depending on the degree of damage, some repairs may be unable to be carried out.

Sicherheitsmaßnahmen

Bei dem Entwurf von Magnescale Co., Ltd. Produkten wird größter Wert auf die Sicherheit gelegt. Unsachgemäße Handhabung während des Betriebs oder der Installation ist jedoch gefährlich und kann zu Feuer, elektrischen Schlägen oder anderen Unfällen führen, die schwere Verletzungen oder Tod zur Folge haben können. Darüber hinaus kann falsche Anwendung die Leistung der Maschine verschlechtern.

Beachten Sie daher unbedingt die besonders hervorgehobenen Sicherheitshinweise in dieser Bedienungsanleitung, um derartige Unfälle zu verhüten, und lesen Sie die folgenden Sicherheitsmaßnahmen vor der Inbetriebnahme, Installation, Wartung, Inspektion oder Reparatur dieses Gerätes oder der Durchführung anderer Arbeiten durch.

Bedeutung der Warnhinweise

Bei der Durchsicht dieses Handbuchs werden Sie auf die folgenden Hinweise und Symbole stoßen. Machen Sie sich mit ihrer Bedeutung vertraut, bevor Sie den Text lesen.

Warnung

Eine Missachtung dieser Hinweise kann zu Feuer, elektrischen Schlägen oder anderen Unfällen führen, die schwere Verletzungen oder Tod zur Folge haben können.

Vorsicht

Eine Missachtung dieser Hinweise kann zu elektrischen Schlägen oder anderen Unfällen führen, die Verletzungen oder Sachbeschädigung der umliegenden Objekte zur Folge haben können.

Zu beachtende Symbole



VORSICHT



ELEKTRISCHER SCHLAG



FINGERVERLETZUNG



LASERSTRAHL

Symbole, die Handlungen verbieten



NICHT
ZERLEGEN

Symbole, die Handlungen vorschreiben



STECKER
ABZIEHEN

Warnung



- Betreiben Sie dieses Gerät nur mit der vorgeschriebenen Versorgungsspannung, da anderenfalls die Gefahr von Feuer oder elektrischen Schlägen besteht.
- Führen Sie Installationsarbeiten nicht mit nassen Händen aus, da hierbei die Gefahr elektrischer Schläge besonders groß ist.



- Unterlassen Sie jeden Versuch, das Gerät zu zerlegen oder umzubauen, da dies zu Verletzungen oder Beschädigung der internen Schaltungen führen kann.



- Dieses Gerät ist ein Laserprodukt der Klasse 1. Es verwendet einen Halbleiterlaser mit einer Wellenlänge von 790 nm, dessen Licht außerhalb des sichtbaren Bereichs liegt. Die maximale Ausgangsleistung des Lasers beträgt 6 mW (Klasse 3B).
- Obwohl die vom Kopf-Innenbereich abgegebenen Laserstrahlen für das Auge unsichtbar sind, stellen sie eine Gefahr für den menschlichen Körper dar. Versuchen Sie daher auf keinen Fall, die Maßstabseinheit zu zerlegen oder vom versiegelten Teil des Maßstabs einheit aus hineinzublicken. Führen Sie auch niemals Fremdkörper in den versiegelten Teil des Maßstabs einheit ein.

CLASS 1 LASER PRODUCT
LASERSCHUTZKLASSE 1 PRODUKT
TO EN 60825

Vorsicht



- Überprüfen Sie vor Arbeitsbeginn unbedingt den Zustand von Maschine und Vorrichtungen, um die Arbeitssicherheit zu gewährleisten.



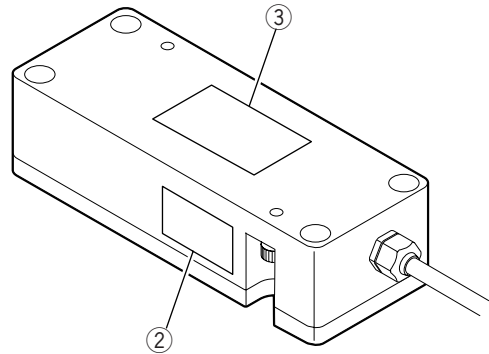
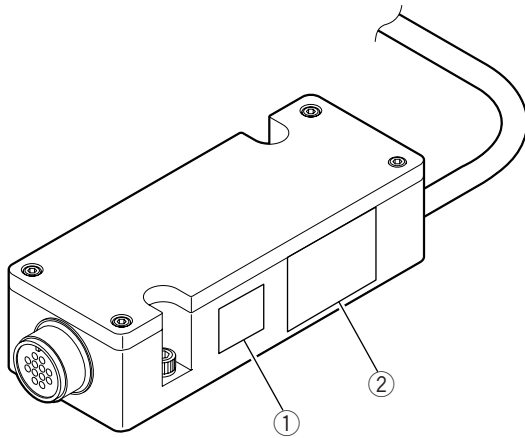
- Schalten Sie vor Arbeiten an der Maschine unbedingt die Stromzufuhr und andere Antriebsstromquellen aus. Anderenfalls besteht Brand- oder Unfallgefahr.



- Achten Sie beim Einschalten der Stromversorgung usw. zum Betrieb der Maschine darauf, daß Sie sich nicht die Finger in peripheren Maschinen und Vorrichtungen klemmen.

ACHTUNG

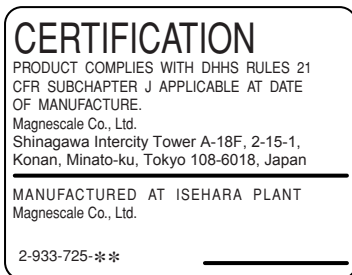
Die Betätigung von Bedien- und Einstellteilen bzw. die Ausführung von Verfahren, die nicht in dieser Bedienungsanleitung beschrieben sind, können zu gefährlicher Strahlungsbelastung führen.



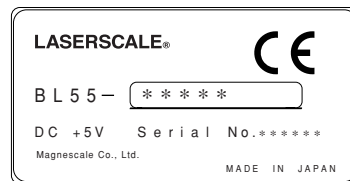
① Laser-Warnungsetikett



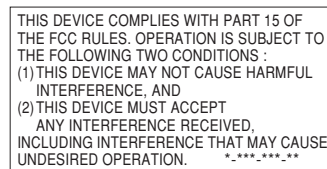
② DHHS-Etikett



③ Spezifikationsetikett



④ FCC-Etikett



Vorsichtsmaßnahmen zum Betrieb

- Der Stecker der Schnittstelleneinheit ist mit einer Kappe zum Schutz gegen statische Elektrizität versehen. Entfernen Sie diese Kappe erst unmittelbar vor dem Anschluß der Peripheriegeräte. Vermeiden Sie eine Berührung der Steckerkontakte nach dem Abnehmen der Schutzkappe, weil dies zu Funktionsstörungen führen könnte.
- Schalten Sie die Stromzufuhr erst ein, nachdem Sie alle Anschlüsse an Schnittstelleneinheit und Peripheriegeräte gesichert haben. Der Stecker darf auf keinen Fall bei eingeschalteter Stromzufuhr eingeführt oder herausgezogen werden.
- Unterlassen Sie gewaltsames Ziehen oder übermäßiges Biegen des Kabels. (Biegeradius (innen) Statisch: mindestens 30 mm, In Bewegung: mindestens 100 mm)
- Warten Sie vor Benutzung der Maßstabseinheit BL55-NE ungefähr 10 Minuten nach dem Einschalten der Stromzufuhr, bis sich die Temperatur des Detektorkopfes stabilisiert hat.
- Die Maßstabseinheit BL55-NE ist ein Präzisions-Meßinstrument. Behandeln Sie sie mit äußerster Sorgfalt, damit sie keinen starken Erschütterungen ausgesetzt wird. Benutzen Sie zum Transport die Originalverpackung der Maßstabseinheit. Bringen Sie immer die Antistatikkappe am Anschluss an.

Hinweise zur Installation

Beachten Sie die folgenden Punkte bei der Montage der Maßstabseinheit besonders sorgfältig, um Rauschen und elektromagnetische Störbeeinflussung von anderen Geräten zu verhüten.

- Führen Sie das Kopfkabel und das Verbindungskabel nicht durch denselben Kabelkanal wie die Starkstromleitung der Maschine.
- Montieren Sie die Maßstabseinheit an einer Stelle, die mindestens 0,5 m Abstand von Hochspannungsquellen, Starkstromleitungen und großen Leistungsrelais hat.

Hinweise zum Anbringungsort

- Bringen Sie die Maßstab möglichst nahe am Werkstück und Messobjekt der Maschine an.
- Benutzen Sie dieses Produkt nur an Orten mit einer Umgebungstemperatur zwischen 0 und 40 °C. Bringen Sie das Produkt nicht an Orten an, die direktem Sonnenlicht, Warmluft oder Wärmequellen (z.B. Motoren) ausgesetzt sind. Dadurch könnte die Genauigkeit beeinträchtigt werden.
- Wenn wasserlösliche Schneidflüssigkeit oder andere Substanzen verwendet werden, muss für ausreichenden Schutz gesorgt werden, damit die Substanz nicht am Maßstab haftet.
- Stellen Sie niemals Gegenstände auf den montierten Maßstab, stützen Sie während der Benutzung nicht Ihre Ellbogen oder Füße auf dem Maßstab ab, und üben Sie keinen übermäßigen Druck auf den Maßstab aus.

Hinweise zur Lagerung

- Lagern Sie die Maßstabseinheit nicht an Orten mit hohen Temperaturen oder hoher Luftfeuchtigkeit. Eine solche Umgebung könnte sich negativ auf die Leistung des Maßstabs auswirken. Lagern Sie die Maßstabseinheit an einem möglichst trockenen Ort.

Allgemeine Vorsichtsmaßnahmen

Beachten Sie bei Verwendung unserer Produkte die folgenden allgemeinen Vorsichtsmaßnahmen neben den in diesem Handbuch speziell vermerkten Hinweisen, um korrekten Gebrauch der Produkte zu gewährleisten.

- Vergewissern Sie sich vor und während des Betriebs, daß das Produkt einwandfrei funktioniert.
- Treffen Sie angemessene Sicherheitsmaßnahmen, um im Falle von Funktionsstörungen Schäden zu vermeiden.
- Der Einsatz außerhalb der angegebenen Spezifikationen oder Zwecke und die Modifikation unserer Produkte haben den Verfall der Garantie auf die angegebenen Funktionen und Leistungen unserer Produkte zur Folge.
- Bei Verwendung unserer Produkte in Verbindung mit anderen Geräten werden je nach den Betriebsumgebungsbedingungen die in dieser Anleitung angegebenen Funktionen und Leistungen möglicherweise nicht erzielt. Daher sollte die Kompatibilität vorher gründlich überprüft werden.

[For U.S.A. and Canada]

THIS CLASS A DIGITAL DEVICE COMPLIES WITH PART 15 OF THE FCC RULES AND THE CANADIAN ICES-003. OPERATION IS SUBJECT TO THE FOLLOWING TWO CONDITIONS.

- (1) THIS DEVICE MAY NOT CAUSE HARMFUL INTERFERENCE, AND
- (2) THIS DEVICE MUST ACCEPT ANY INTERFERENCE RECEIVED, INCLUDING INTERFERENCE THAT MAY CAUSE UNDERSIGNED OPERATION.

CET APPAREIL NUMERIQUE DE LA CLASSE A EST CONFORME A LA NORME NMB-003 DU CANADA.

Inhalt

| | |
|--|------------|
| 1. Überblick | 1-1 |
| 1-1. Vorwort | 1-1 |
| 1-2. Hauptmerkmale | 1-1 |
| 1-3. Modellkonfiguration | 1-2 |
| 2. Bezeichnung der Teile und ihre Funktionen | 2-1 |
| 3. Montage und Einstellungen | 3-1 |
| 3-1. Vorsichtsmassnahmen zur Montage | 3-1 |
| 3-1-1. Während der Montage | 3-1 |
| 3-1-2. Montageanforderungen | 3-2 |
| 3-2. Vorbereitung der Montagefläche | 3-3 |
| 3-3. Montage des Maßstabs | 3-4 |
| 3-4. Montage des Detektorkopfes | 3-8 |
| 3-5. Signaleinstellung | 3-9 |
| 3-5-1. Vorbereitung zur Signaleinstellung | 3-9 |
| 3-5-2. Azimuteinstellung | 3-10 |
| 3-6. Abschluss von Montage und Einstellung | 3-11 |
| 4. Schnittstelleneinheit | 4-1 |
| 4-1. Montage der Schnittstelleneinheit | 4-1 |
| 4-2. Abnehmen und Anbringen der Schnittstelleneinheitabdeckung | 4-1 |
| 4-3. MODE-Schalter (nur für Ausgabeformat F, G und H) | 4-2 |
| 4-3-1. Ausführliche Beschreibung der MODE-Schalter | 4-3 |
| 4-4. Ändern der Einstellungen (nur für Ausgabeformat F und G) | 4-4 |
| 4-4-1. Ändern der Richtung | 4-4 |
| 4-4-2. Ändern der Auflösung | 4-4 |
| 4-4-3. Einstellung des Alarmzurücksetzungsmodus | 4-5 |
| 4-5. Maßstabssignalausgabe | 4-6 |
| 4-5-1. A/B-Signalen-Beziehung (nur für Ausgabeformat A) | 4-6 |
| 4-5-2. A/B-Signalen- Ausgangsspezifikationen | 4-6 |
| 4-5-3. Alarm (nur für Ausgabeformat A) | 4-6 |
| 4-5-4. Analogausgangsspezifikationen | 4-7 |
| 5. Ein-/Ausgangsanschluss | 5-1 |
| 5-1. Anschluss | 5-1 |
| 5-2. Anschlusspezifikationen | 5-2 |
| 5-2-1. A/B-Signalen-Ausgangstyp | 5-2 |
| 5-2-2. Analogausgangstyp | 5-4 |
| 6. Technische Daten | 6-1 |
| 7. Maßzeichnung | 7-1 |
| 8. Störungsinformation | 8-1 |

1. Überblick

1-1. Vorwort

Bei den Geräten der Modellreihe BL55-NE handelt es sich um offene Laserscale-Geräte mit einer integrierten Schnittstelleneinheit. Die Schnittstelleneinheit wird mit Gleichstrom von +5 V für die Ausgabe von A/B-Signale oder Analogsignale.

1-2. Hauptmerkmale

- Dank dem Kopfsignaltakt von 0,4 μm kann der Interpolationsfehler außer Betracht gelassen werden.
- Nach modernster Halbleitertechnologie gefertigte optische ICs ermöglichen ein kompaktes und energiesparendes Design.
- Das Gerät wird theoretisch nicht durch Temperatur-, Luftdruck- oder atmosphärische Schwankungen beeinträchtigt und verwendet Schwerglas für erhöhte Messstabilität.
- Maximale Geschwindigkeit: 3.000 mm/s (analoge Ausgabe)

1-3. Modellkonfiguration

| Modell | Messlänge |
|------------------|-----------|
| BL55-003NE ●●●●● | 30 mm |
| BL55-007NE ●●●●● | 70 mm |
| BL55-012NE ●●●●● | 120 mm |
| BL55-017NE ●●●●● | 170 mm |
| BL55-022NE ●●●●● | 220 mm |
| BL55-027NE ●●●●● | 270 mm |
| BL55-032NE ●●●●● | 320 mm |
| BL55-037NE ●●●●● | 370 mm |
| BL55-042NE ●●●●● | 420 mm |

Tabelle 1-1

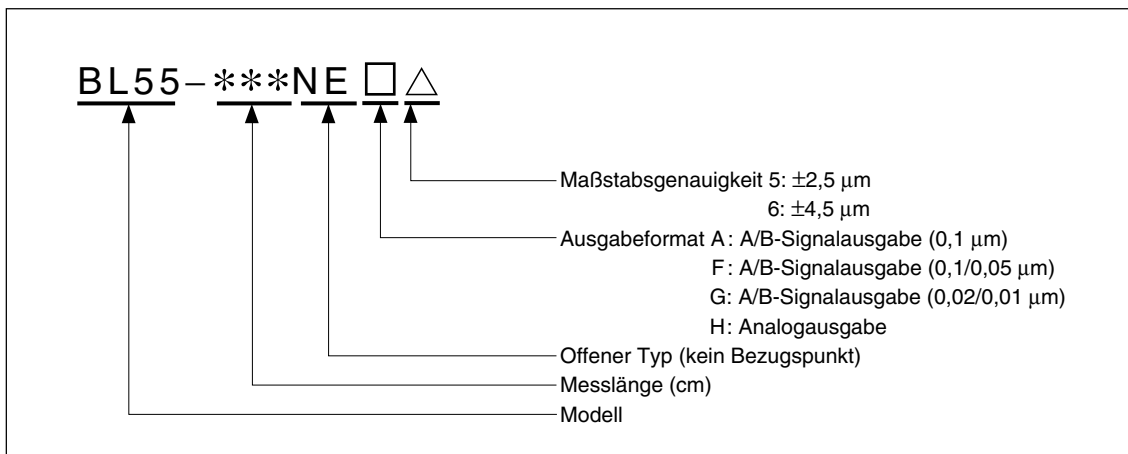


Abb. 1-1

Beispiele

BL55-007NEA5 : 70 mm, Offener Typ ohne Bezugspunkt, A/B-Signalausgabe (0,1 μm), ±2,5 μm

BL55-027NEG6 : 270 mm, Offener Typ ohne Bezugspunkt, A/B-Signalausgabe (0,02/0,01 μm), ±4,5 μm

BL55-017NEH5 : 170 mm, Offener Typ ohne Bezugspunkt, Analogausgabe, ±2,5 μm

2. Bezeichnung der Teile und ihre Funktionen

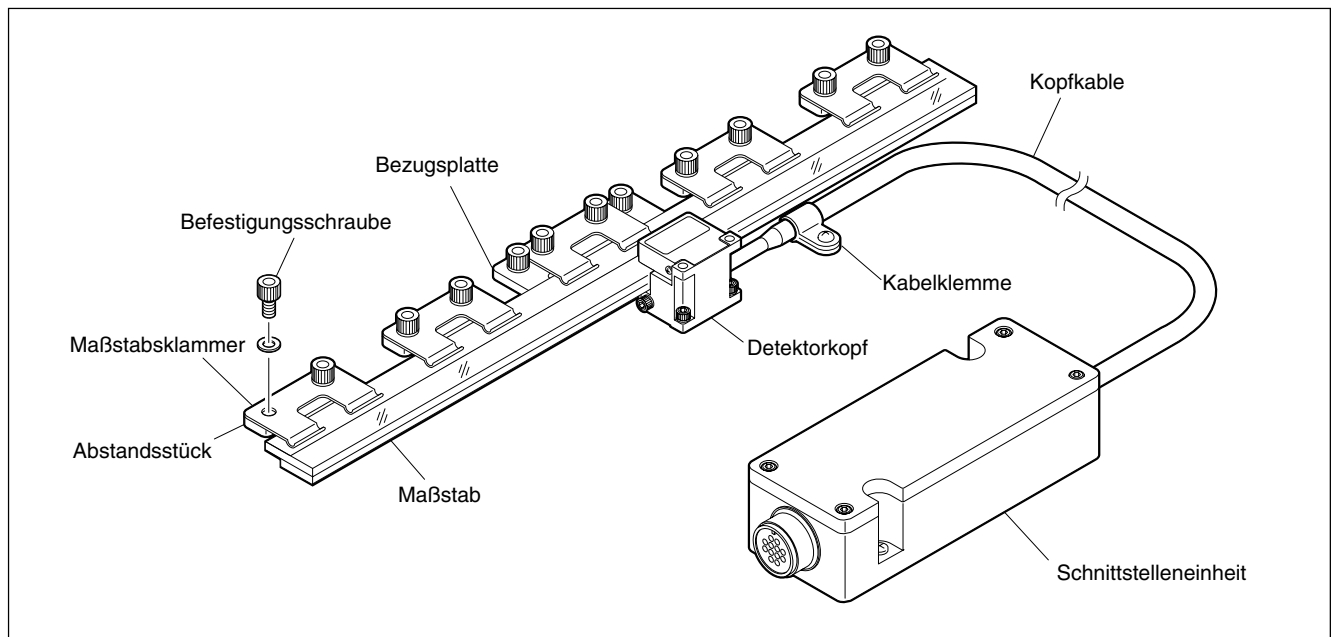


Abb. 2-1

3. Montage und Einstellungen

Gehen Sie folgendermaßen vor. (Einzelheiten entnehmen Sie bitte den entsprechenden Seiten.)

| | |
|--|------|
| 3-1. Vorsichtsmassnahmen zur Montage | 3-1 |
| 3-1-1. Während der Montage | 3-1 |
| 3-1-2. Montageanforderungen | 3-2 |
| 3-2. Vorbereitung der Montagefläche | 3-3 |
| 3-3. Montage des Maßstabs | 3-4 |
| 3-4. Montage des Detektorkopfes | 3-8 |
| 3-5. Signaleinstellung | 3-9 |
| 3-5-1. Vorbereitung zur Signaleinstellung | 3-9 |
| 3-5-2. Azimuteinstellung | 3-10 |
| 3-6. Abschluss von Montage und Einstellung | 3-11 |

3-1. Vorsichtsmassnahmen zur Montage

3-1-1. Während der Montage

- Maßstab und Detektorkopf sind aufeinander abgestimmt. Wenn Sie mehrere Maßstabseinheiten verwenden, achten Sie darauf, dass die Maßstab-Kopf-Kombinationen übereinstimmende Seriennummern haben.
- Montageposition (Abbe-Fehler) und Umgebungsbedingungen (Temperatur, Luftfeuchtigkeit, Vibrationen und Staub) sind entsprechend zu berücksichtigen.
- Verlegen Sie das Kabel des Detektorkopfes oder das Verbindungskabel nicht im gleichen Kabelkanal wie das Stromversorgungskabel.
- Stellen Sie den maximalen Verfahrweg des beweglichen Maschinenteils kürzer als den Verfahrweg des Maßstabs ein.
 Max Verfahrweg des Maßstabs = Messlänge +10 mm (5 mm auf jeder Seite)
 (Bei Überschreitung des max. Maßstab-Verfahrwegs werden die Signale der Maßstabseinheit nicht ausgegeben, so dass ein Fehler auftritt.)
- Nach der Montage ist eine Signaleinstellung der Maßstabseinheit erforderlich. Achten Sie bei der Montage des Maßstabs an der Maschine darauf, dass genügend Platz für die Einstellung vorhanden ist. (Siehe die Seiten 3-3 bis 3-11.)

3-1-2. Montageanforderungen

Messinstrumente

- Messuhr mit Hebelgestänge (Auflösung: 2/1000 mm oder 1/1000 mm) (1)
- Messuhrständer (1)
- Oszilloskop (1)
Möglichkeit zur 2-Quadrant-X-Y-Anzeige
Eingangsempfindlichkeit : DC 0,1 V/DIV
X-Y-Frequenzband : 1 MHz oder mehr

Werkzeuge

- Sechskant-Stiftschlüssel: 3 mm, 2 mm (je 1)
- Kreuzschlitzschraubendreher Nr. 1 (1)

Verschiedenes

- Zubehör (1 Satz)
- Gaze (geringe Menge)
- Alkohol (geringe Menge)

3-2. Vorbereitung der Montagefläche

1. Überprüfen Sie die Größe (schraffierte Teile in der Abbildung) und Genauigkeit der Montagefläche.
2. Überprüfen Sie die Genauigkeit der Befestigungsschrauben-Koordinaten.
3. Der Detektorkopf kann umgekehrt angebracht werden.

| | | |
|----------------------------|--|----------------------|
| Maßstab-Montagefläche | Rauheit (Rmax) | 6,3S |
| | Ebenheit | 0,01 mm oder weniger |
| | Parallelität zum Maschinen-Verfahrweg | 0,01 mm oder weniger |
| Detektorkopf-Montagefläche | Rauheit (Rmax) | 12,5S |
| | Parallelität zum Maßstab-Montagefläche | 0,03 mm oder weniger |

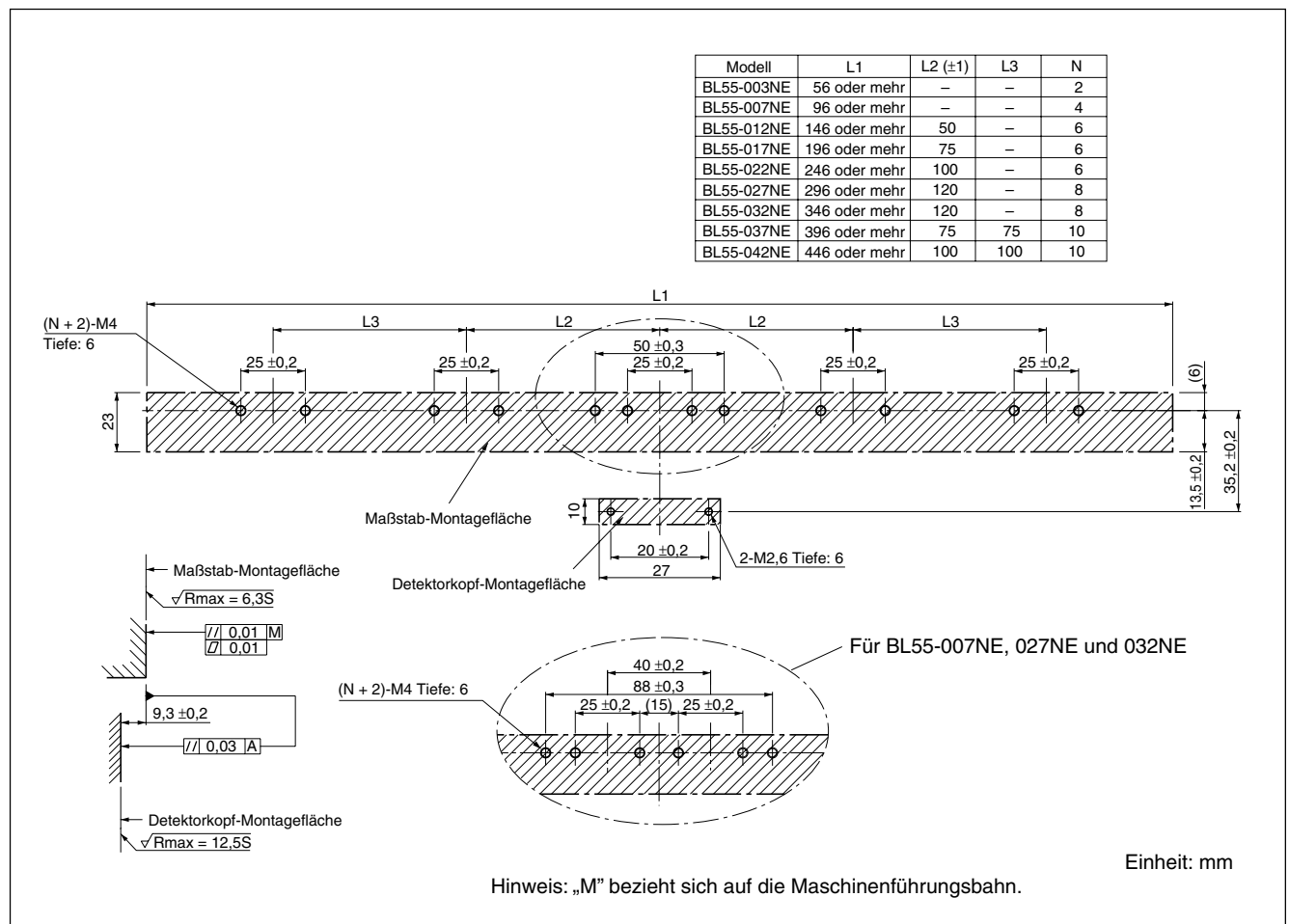


Abb. 3-1

3-3. Montage des Maßstabs

1 Vergewissern Sie sich, dass weder Staub noch andere Fremdkörper an der Montagefläche haften, und montieren Sie die Bezugsplatte parallel zur Maschinenführungsbahn, wie in der Abbildung gezeigt. (Anzugsmoment: $1,4 \text{ N} \cdot \text{m}$)

Die Bezugsbohrung befindet sich auf der linken Seite, wie in der Abbildung gezeigt. Nehmen Sie die Einstellung auf der rechten Seite vor, während Sie die Parallelität mit der Hebel-Messuhr überwachen.

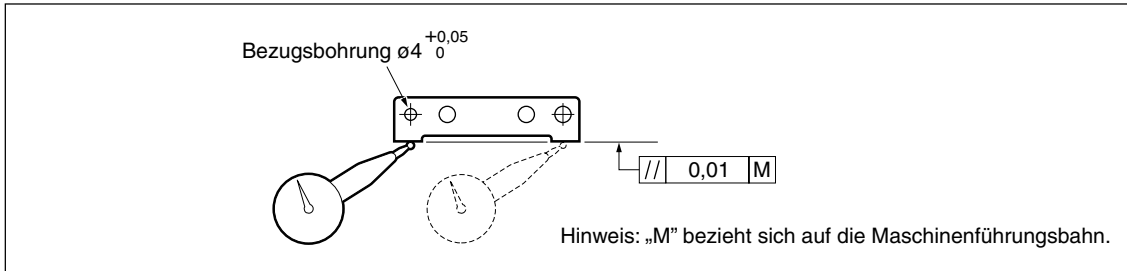


Abb. 3-2

Hinweis

Der Maßstab wird bei der Montage zur Einhaltung der Parallelität gegen die Bezugsplatte gedrückt. Die Bezugsplatte ist ausschlaggebend für eine genaue Montage des Maßstabs und muss daher genau nach Vorschrift montiert werden. Verwenden Sie immer die mitgelieferte Schraube, und montieren Sie sie genau nach den Vorschriften.

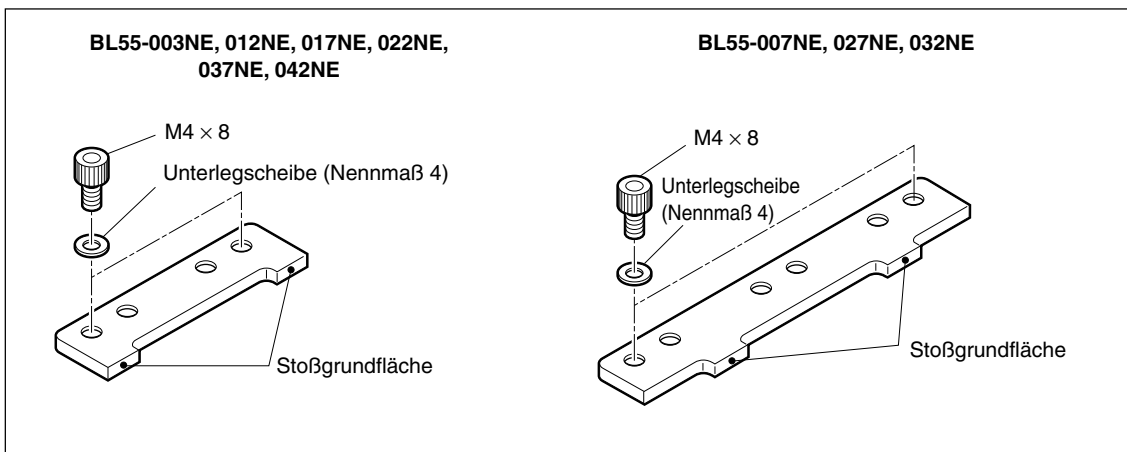


Abb. 3-3

- 2** Befestigen Sie die Maßstabsklammern provisorisch (1 oder 2 ganze Umdrehungen weniger als die halb angezogene Position) mit den Befestigungsschrauben, wie in der Abbildung gezeigt.

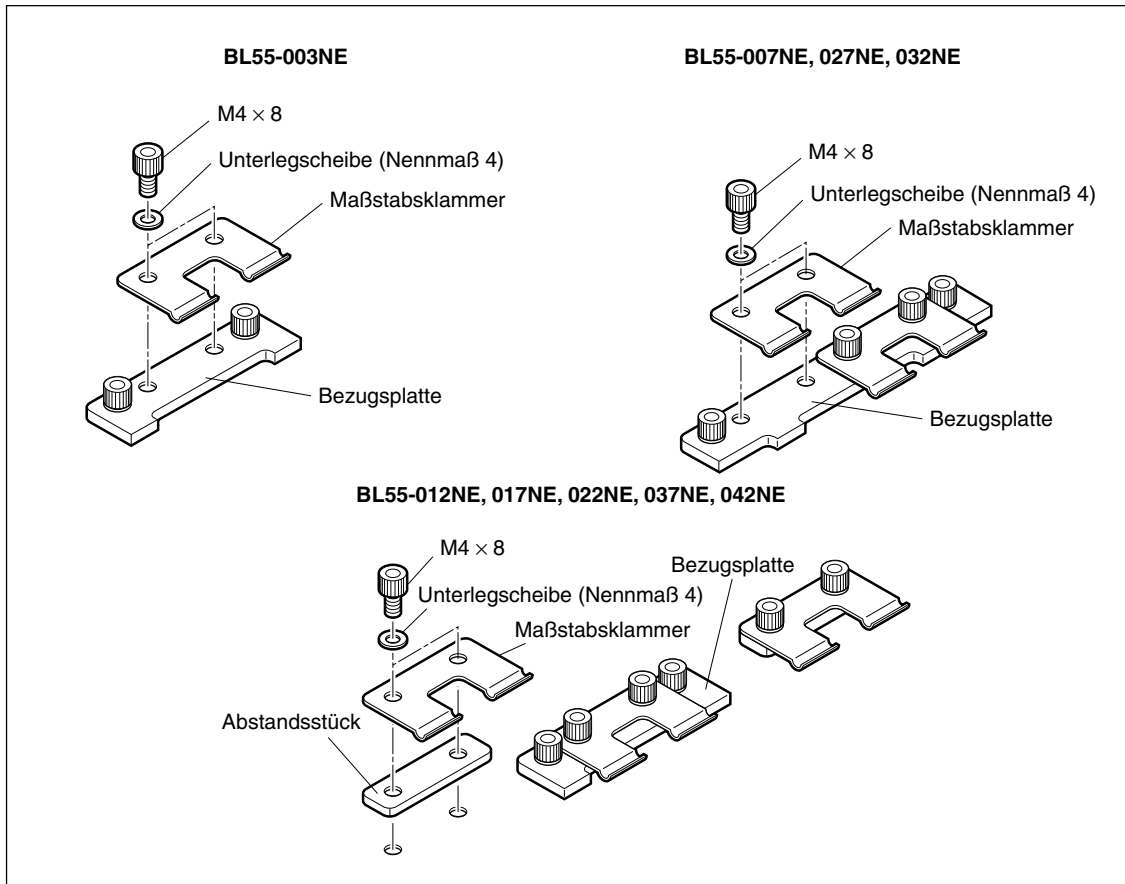


Abb. 3-4

- 3** Überprüfen Sie Montagefläche und Bezugsfläche des Maßstabs auf Staub und Schmutz. Falls die Flächen verschmutzt sind, wischen Sie sie mit alkoholgetränkter Gaze ab.

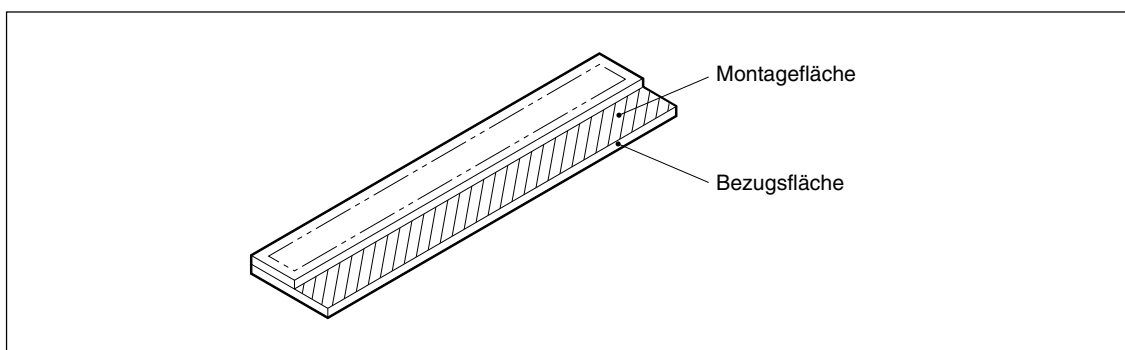


Abb. 3-5

- 4** Schieben Sie den Maßstab zwischen Maßstabsklammer und Montagefläche ein, während Sie seine Bezugsfläche (siehe Abb. 3-3) leicht gegen die Stoßgrundfläche drücken (Hinweis). Ziehen Sie die in der Abbildung mit A und B gekennzeichneten Schrauben der Maßstabsklammer schrittweise und abwechselnd an. (Verwenden Sie nur die linke Maßstabsklammer für Klammern mit zwei Schrauben, und die mittlere Maßstabsklammer für Klammern mit drei Schrauben.) (Endanzugsmoment: $1,4 \text{ N} \cdot \text{m}$)

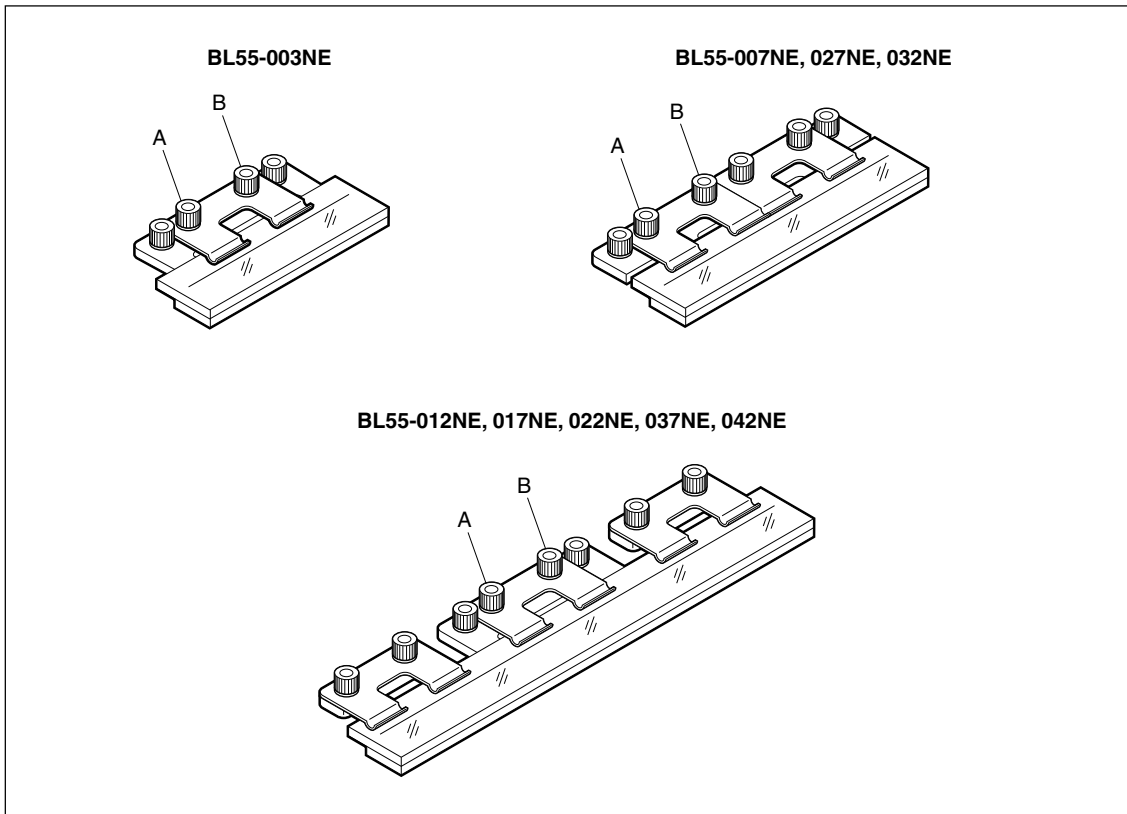


Abb. 3-6

Hinweis

Wenn Sie den Maßstab gegen die Bezugsfläche drücken, üben Sie mit den Fingern an zwei Stellen einen Druck von $9,8 \text{ N}$ oder weniger auf die der Bezugsfläche gegenüberliegende Kante des Maßstabs aus, wie in der linken Abb. 3-7 gezeigt. Wird ein Druck von $4,9 \text{ N}$ oder mehr auf die Mitte des Maßstabs ausgeübt, wie in der rechten Abb. 3-7 gezeigt, oder wird der Maßstab mit Verzug montiert, kann die angegebene Genauigkeit nicht erzielt werden. (Dies gilt auch für die folgenden Verfahren. Falls der Verdacht auf Verzug des Maßstabs durch übermäßige Kraftanwendung besteht, lösen Sie die Maßstabsklammer, um den Maßstab korrekt zu montieren.)

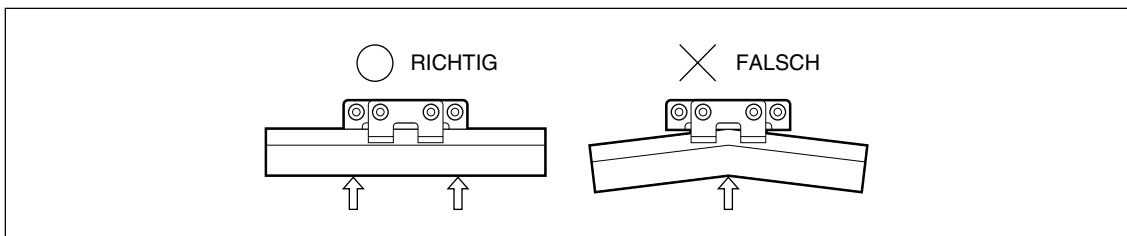


Abb. 3-7

- 5 Lassen Sie den Maßstab für etwa eine Stunde oder länger in dem in Abb. 3-6 gezeigten Zustand, bis sich seine Temperatur stabilisiert.
- 6 Sichern Sie die übrigen Maßstabsklammern durch allmähliches und abwechselndes Anziehen der Schrauben A und B. (Verwenden Sie nur die rechte Maßstabsklammer für Klammern mit zwei Schrauben, und die rechte und linke Maßstabsklammer für Klammern mit drei Schrauben.) (Endanzugsmoment: $1,4 \text{ N} \cdot \text{m}$)

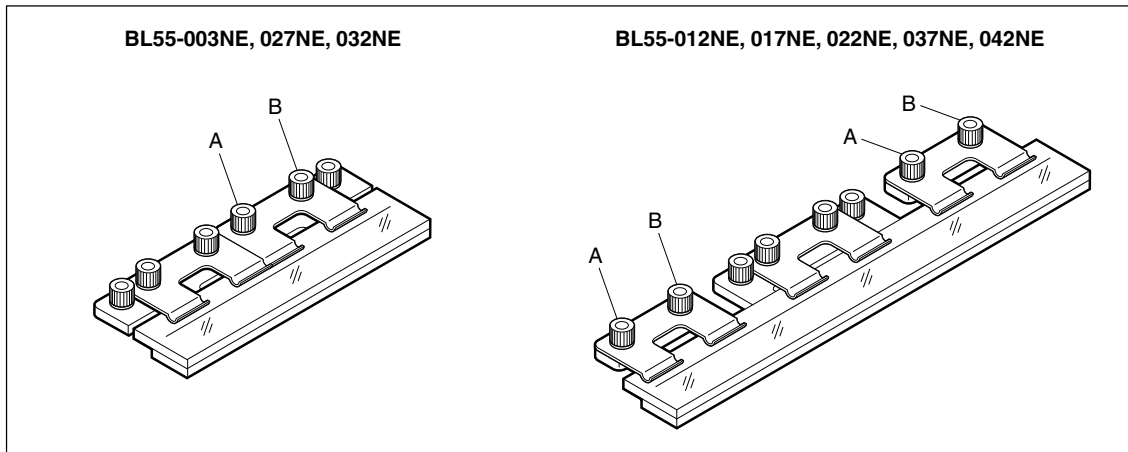


Abb. 3-8

- 7 Ziehen Sie die Maßstabsklammern an beiden Enden des Maßstabs mit dem gleichen Anzugsmoment an. (Endanzugsmoment: $1,4 \text{ N} \cdot \text{m}$)

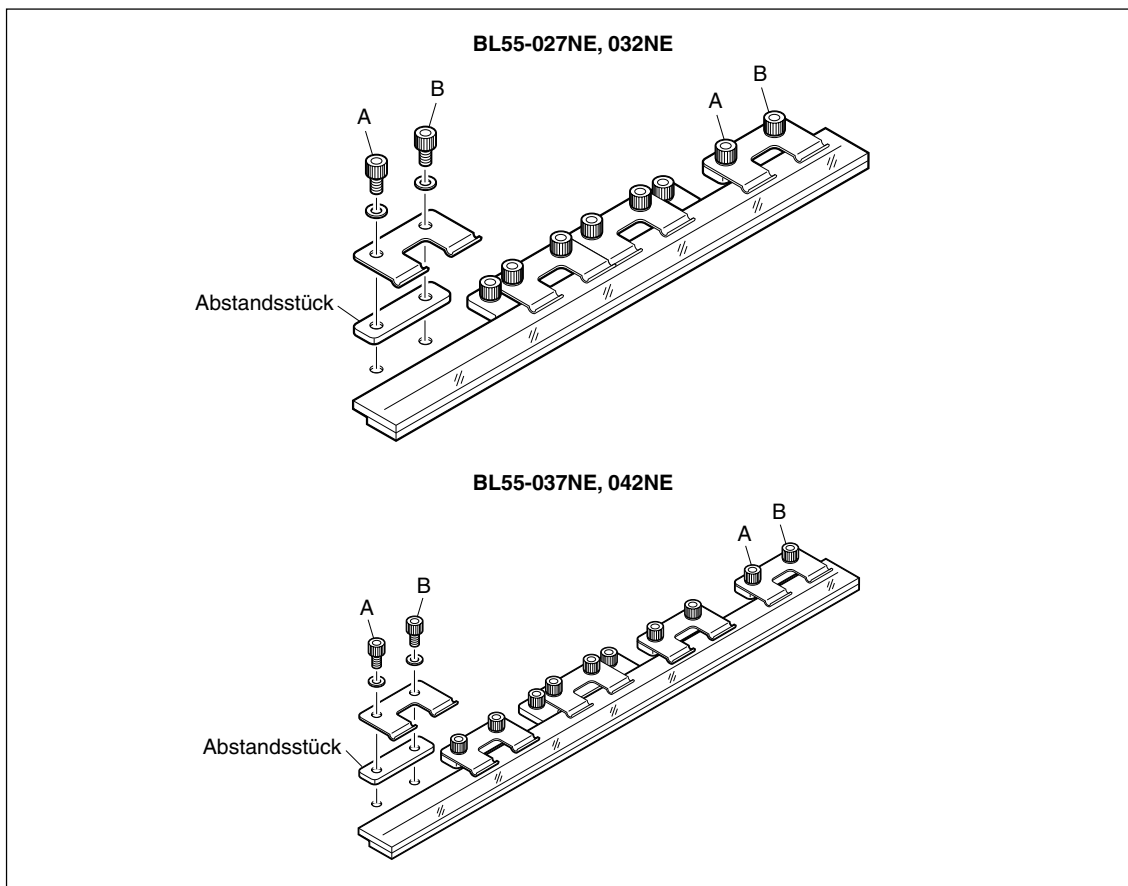


Abb. 3-9

- 8 Überprüfen Sie die Oberfläche des Maßstabs auf Öl und Staub. Falls die Oberfläche verschmutzt ist, wischen Sie sie mit alkoholgetränkter Gaze ab. Wischen Sie Öl und Staub gründlich von der Oberfläche ab.

3-4. Montage des Detektorkopfes

- 1 Verschieben Sie den Maschinentisch, und stellen Sie die Montageposition des Detektorkopfes ungefähr auf die Mitte des Maßstabs ein.
- 2 Ziehen Sie den Detektorkopf mit den mitgelieferten Befestigungsschrauben provisorisch an.

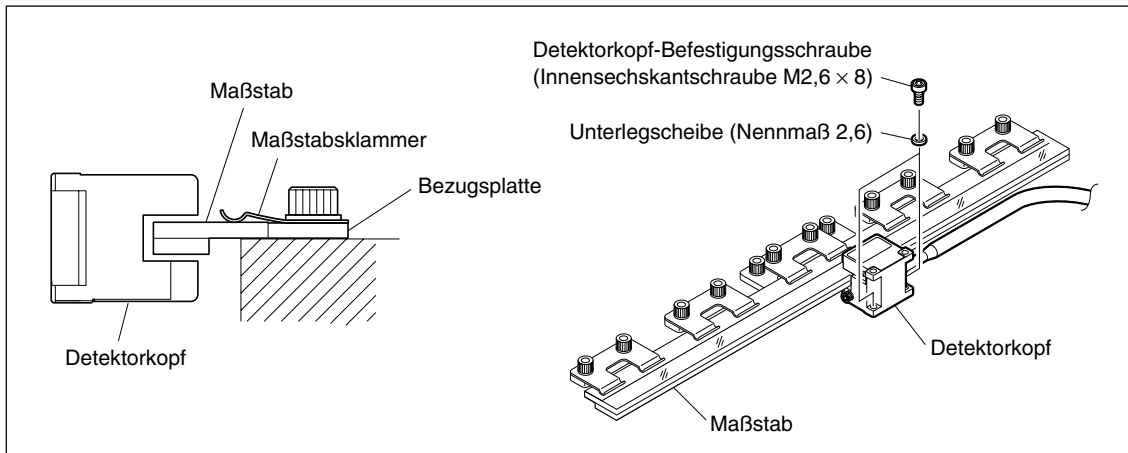


Abb. 3-10

- 3 Entfernen Sie den Anschlag vom Detektorkopf.

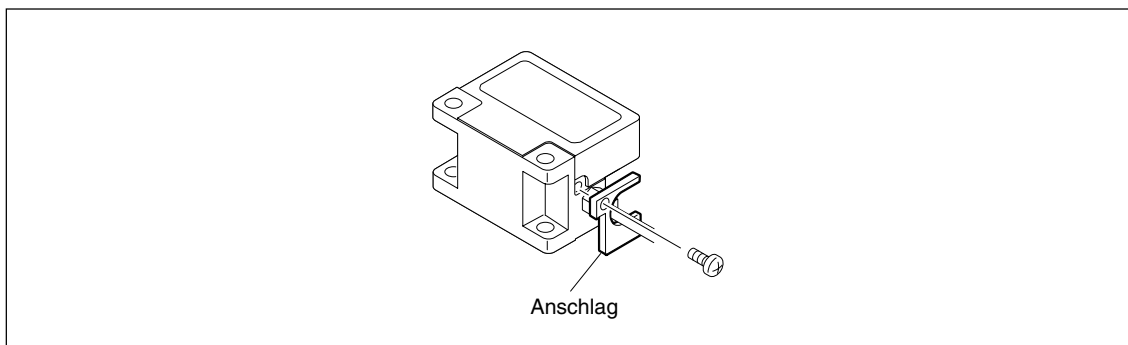


Abb. 3-11

3-5. Signaleinstellung

3-5-1. Vorbereitung zur Signaleinstellung

Stellen Sie sicher, dass der Schnittstelleneinheit ausgeschaltet ist.

Angaben zum Abnehmen und Anbringen der Abdeckung der Schnittstelleneinheit finden Sie in Abschnitt 4-2.

1 Verbinden Sie die Sonde CH1 des Oszilloskops mit den Prüfstiften*¹ der Schnittstelleneinheit.

*1 Ausgabeformat A : TP301 (SIN) und TP61 (AGND)

Ausgabeformat F, G oder H : TP3 und TP8

2 Verbinden Sie die Sonde CH2 des Oszilloskops mit den Prüfstiften*² der Schnittstelleneinheit.

*2 Ausgabeformat A : TP351 (COS) und TP61 (AGND)

Ausgabeformat F, G oder H : TP2 und TP7

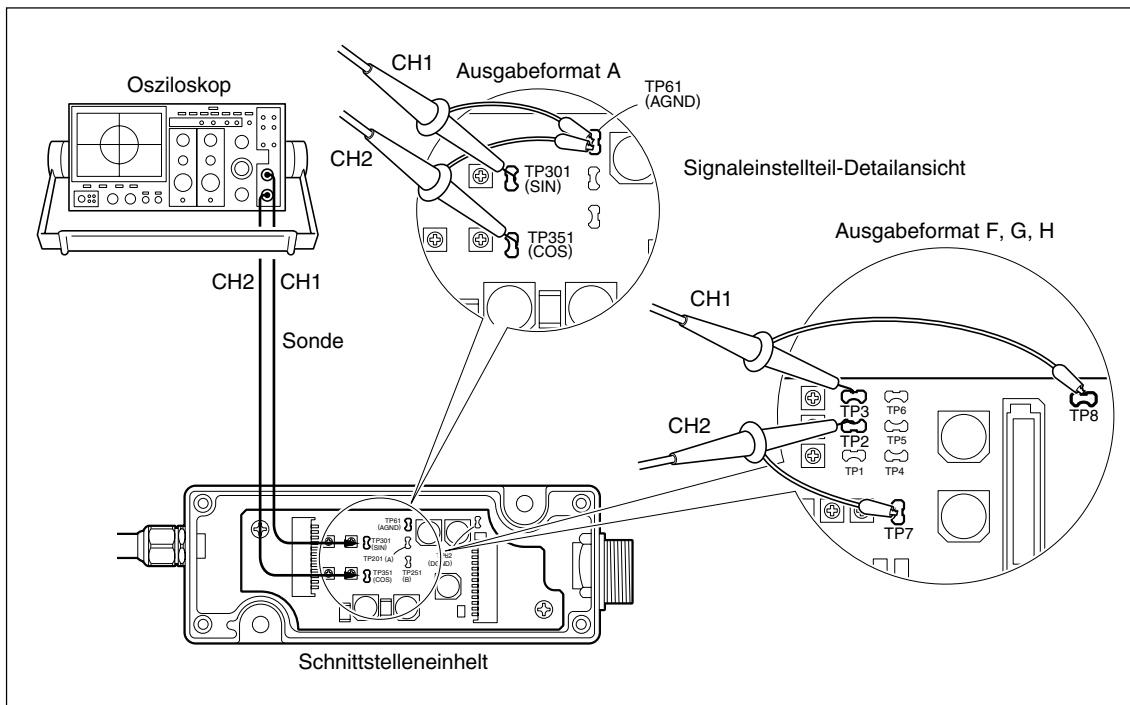


Abb. 3-12

3 Stellen Sie den Schalter TIME/DIV auf X-Y MODE.

4 Stellen Sie die Deviationempfindlichkeit (VOLTS/DIV) von CH1 und CH2 auf 0,5 V/DIV ein.

5 Stellen Sie die Eingangskopplungsschalter von CH1 und CH2 des Oszilloskops auf GND, und stellen Sie die Position des Oszilloskops so ein, dass sich das Signal für Ausgabeformat A in Bildschirmmitte und für Ausgabeformat F, G und H unten links befindet.

6 Stellen Sie die Eingangskopplungsschalter von CH1 und CH2 am Oszilloskop auf DC.

7 Schalten Sie die Stromzufuhr der Schnittstelleneinheit ein.

Hinweis

Schalten Sie die Schnittstelleneinheit aus, bevor Sie die Sonde des Oszilloskops anbringen oder abnehmen.

3-5-2. Azimuteinstellung

Die in der nachstehenden Abbildung gezeigte Richtung wird als Azimutrichtung bezeichnet. Durch geringfügiges Verstellen der Detektorkopfausrichtung kann ein stabiles Ausgangssignal innerhalb des Bereichs der angegebenen Werte erzielt werden.

<Angegebene Werte>

- Typ mit A/B-Signalausgabe Ausgabeformat A: Amplitude 0,9 Vs-s bis 1,8 Vs-s
Ausgabeformat F: Amplitude 0,7 Vs-s bis 1,3 Vs-s
Ausgabeformat G: Amplitude 0,8 Vs-s bis 1,2 Vs-s
Typ mit Analogausgabe Ausgabeformat H: Amplitude 0,3 Vs-s bis 0,6 Vs-s

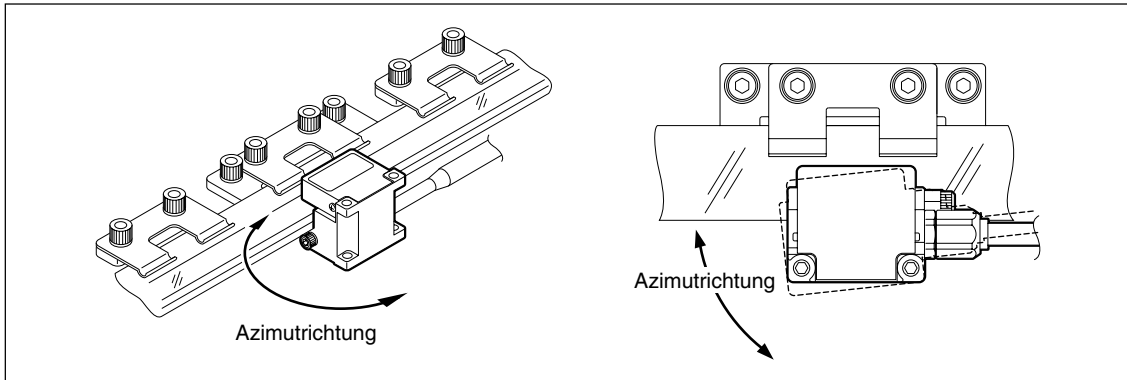


Abb. 3-13

- 1 Lösen Sie die Detektorkopf-Befestigungsschrauben.
- 2 Drehen Sie den Detektorkopf, wie in Abb. 3-13 gezeigt, bis Sie den Punkt finden, an dem die Amplitude der Lissajousfigur ihr **Maximum** erreicht.
- 3 Ziehen Sie die zwei Detektorkopf-Befestigungsschrauben abwechselnd und schrittweise in der Detektorkopfstellung mit der größten Amplitude der Lissajousfigur an. (Anzugsmoment: 0,8 N · m)
- 4 Stellen Sie sicher, dass kein Kontakt zwischen Maßstab und Detektorkopf besteht.

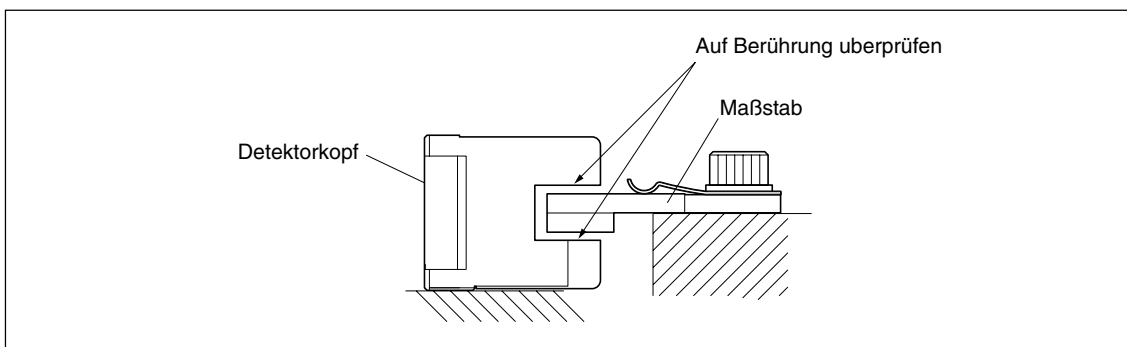


Abb. 3-14

5 Verschieben Sie den Maßstab und vergewissern Sie sich, dass die Amplituden A und B (siehe Abb. 3-15) der Lissajousfigur über die gesamte Maßstablänge innerhalb des Bereichs der angegebenen Werte liegen.

<Angegebene Werte>

Typ mit A/B-Signalausgabe Ausgabeformat A : Amplitude 0,9 Vs-s bis 1,8 Vs-s

Ausgabeformat F : Amplitude 0,7 Vs-s bis 1,3 Vs-s

Ausgabeformat G : Amplitude 0,8 Vs-s bis 1,2 Vs-s

Typ mit Analogausgabe Ausgabeformat H : Amplitude 0,3 Vs-s bis 0,6 Vs-s

Hinweis

Für Ausgabeformat A entspricht die Mitte der Lissajousfigur 0 V. Für Ausgabeformat F, G und H entspricht die Mitte der Lissajousfigur 2,5 V.

Falls trotz wiederholter Einstellung keine Ausgabe von 1 Vs-s erzielt werden kann, überprüfen Sie die Genauigkeit der Montagefläche von Maßstab und Detektorkopf (siehe die Seiten 3-3), und vergewissern Sie sich erneut, dass kein Schmutz an der Oberfläche des Maßstabs haftet.

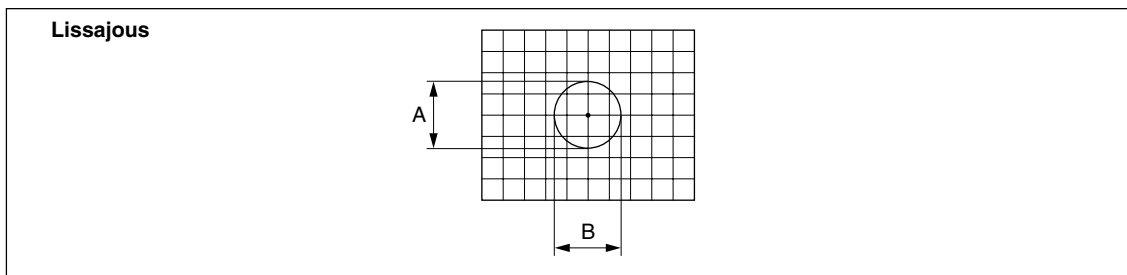


Abb. 3-15

3-6. Abschluss von Montage und Einstellung

- Sichern Sie das Kabel mit der mitgelieferten Kabelklemme und der Flachkopfschraube (M4 × 8).
- Bevor Sie den Maßstab für Messungen benutzen, lassen Sie ihn nach der Montage etwa drei Stunden lang ruhen, damit sich die befestigten Teile stabilisieren können und die Umgebungstemperatur des Maßstabs sich normalisieren kann.

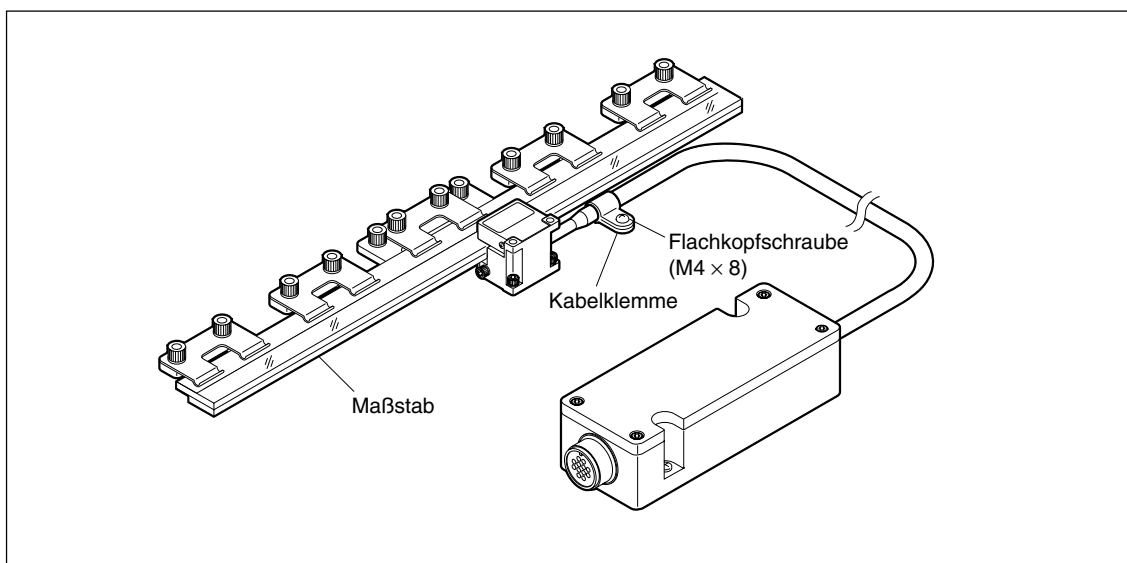


Abb. 3-16

4. Schnittstelleneinheit

4-1. Montage der Schnittstelleneinheit

Befestigen Sie die Schnittstelleneinheit mit den mitgelieferten Schrauben.
Schrauben Sie den Ausgangsanschluss fest ein.

Verwendete Schrauben/Anzugsmoment: $M4 \times 12$: 2 Schrauben/ $2,7 \text{ N} \cdot \text{m}$

Hinweis

Unterlassen Sie das Anschließen oder Abtrennen des Ausgangsanschlusses bei eingeschalteter Stromversorgung der Schnittstelleneinheit.

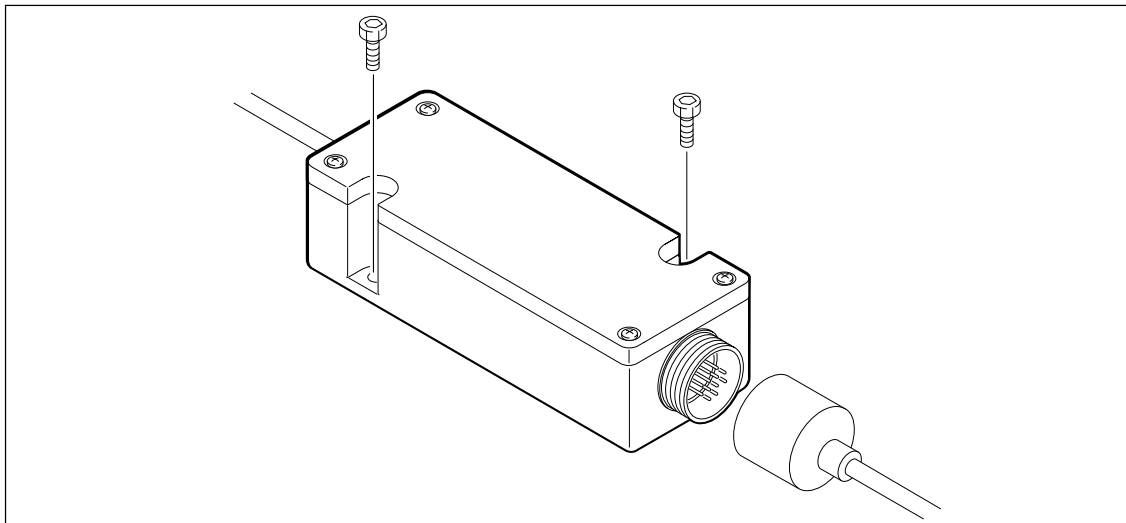


Abb. 4-1

4-2. Abnehmen und Anbringen der Schnittstelleneinheitabdeckung

Um die Funktionen einzustellen oder zu überprüfen, entfernen Sie die vier Schrauben, und nehmen Sie dann die Schnittstelleneinheitabdeckung ab.

Um die Schnittstelleneinheitabdeckung wieder anzubringen, drehen Sie die entfernten Schrauben wieder an den ursprünglichen Stellen ein.

Anzugsmoment $0,3 \text{ N} \cdot \text{m}$

Hinweis

Achten Sie beim Entfernen darauf, dass die Schrauben nicht verloren gehen.

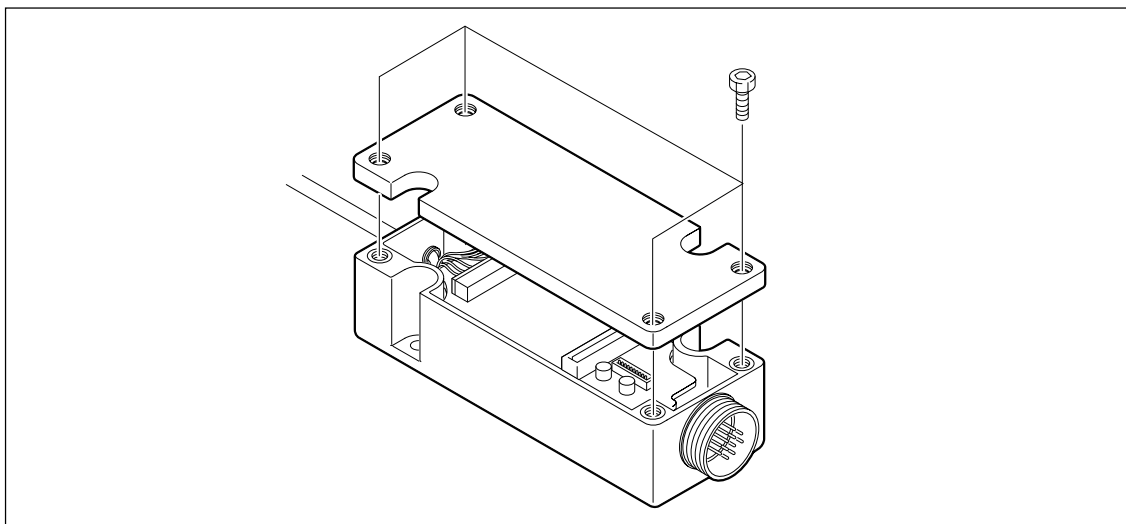


Abb. 4-2

4-3. MODE-Schalter (nur für Ausgabeformat F, G und H)

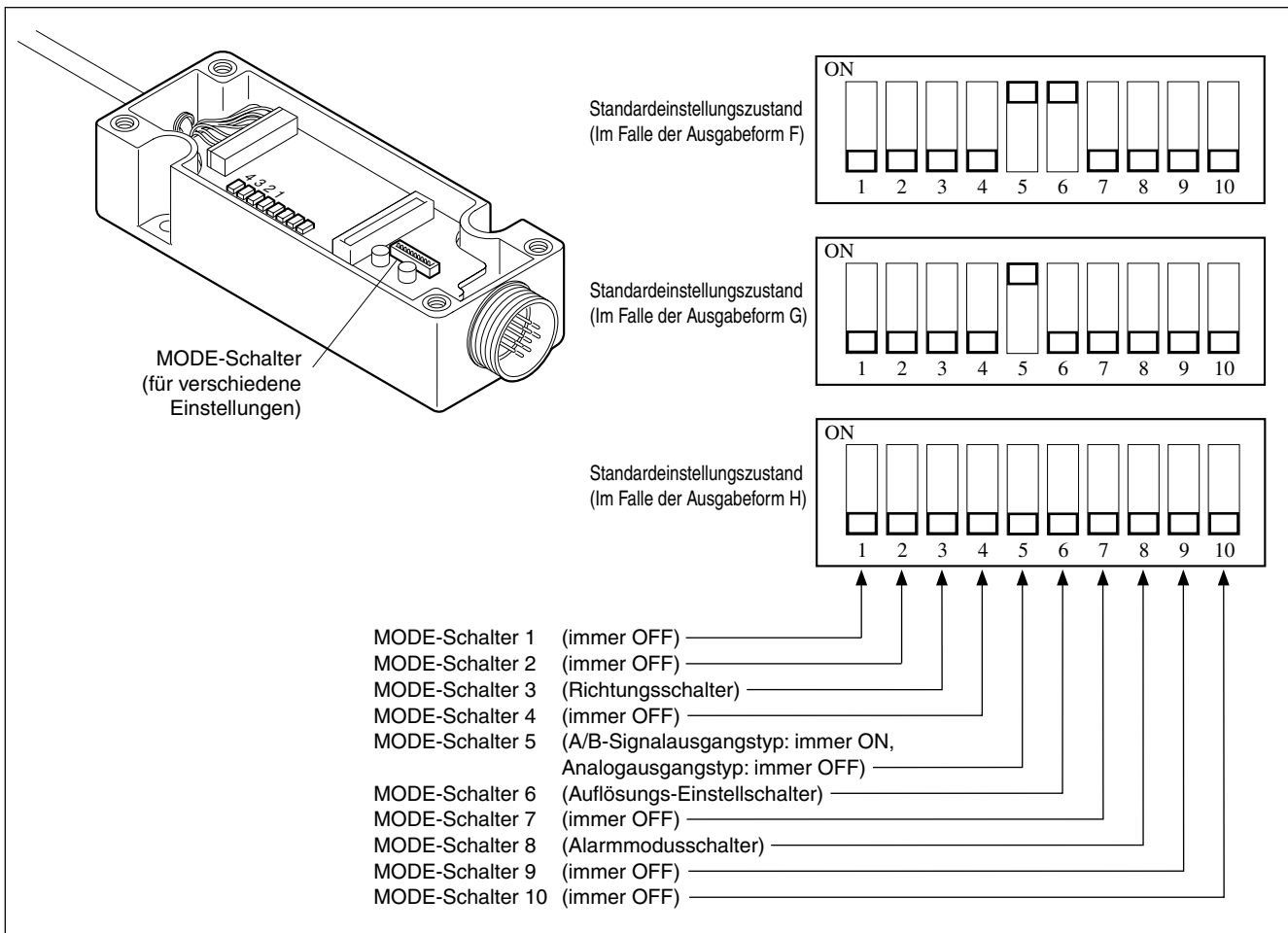


Abb. 4-3

| MODE-Schalter | A/B-Signalausgangstyp | Analogausgangstyp | |
|---------------|---|--|-----------|
| 1 | Immer OFF | Immer OFF | |
| 2 | Immer OFF | Immer OFF | |
| 3 | ON Voreilung des B-Signals OFF Voreilung des A-Signals | Immer OFF | |
| 4 | Immer OFF | Immer OFF | |
| 5 | Immer ON | Immer OFF | |
| 6 | Ausgabeformat F: ON 0,1 μm OFF ... 0,05 μm | Ausgabeformat G: ON 0,02 μm OFF ... 0,01 μm | Immer OFF |
| 7 | Immer OFF | Immer OFF | |
| 8 | ON Haltemodus OFF Modus für Automatische Zurücksetzung | Immer OFF | |
| 9 | Immer OFF | Immer OFF | |
| 10 | Immer OFF | Immer OFF | |

Tabelle 4-1

4-3-1. Ausführliche Beschreibung der MODE-Schalter

Typen mit A/B-Signalausgabe

MODE-Schalter 1, 2, 4, 7, 9 und 10

Immer mit der Einstellung OFF verwenden.

MODE-Schalter 3 (Richtungsschalter)

Dieser Schalter dient zur Änderung der Positionsbeziehung zwischen der Maßstab-Bewegungsrichtung und dem A/B-Signal.

Weitere Informationen dazu in Abschnitt 4-4-1 "Ändern der Richtung".

MODE-Schalter 5

Immer mit der Einstellung ON verwenden.

MODE-Schalter 6 (Auflösungs-Einstellschalter)

Dieser Schalter dient zur Einstellung der Auflösung. Für Typen mit Ausgabeform F erhält man bei Einstellung auf ON 0,1 µm und bei Einstellung auf OFF 0,05 µm. Für G-Typen erhält man bei Einstellung auf ON 0,02 µm und bei Einstellung auf OFF 0,01 µm.

MODE-Schalter 8 (Alarmmodusschalter)

Dieser Schalter dient zur Wahl des Alarmausgabeformats.

Weitere Informationen dazu in Abschnitt 4-4-5 "Einstellen des Alarmzurücksetzungsmodus".

Typen mit Analogausgabe

Für Typ mit Analogausgabe immer in der Stellung OFF verwenden.

Typen mit Analogausgabe haben keine Alarmausgabe.

4-4. Ändern der Einstellungen (nur für Ausgabeformat F und G)

Notwendige Änderungen der Einstellungen können nur für Typen mit A/B-Signalausgabe durchgeführt werden.

Für Typ mit Analogausgabe immer mit allen Schaltern in der Stellung OFF verwenden.

4-4-1. Ändern der Richtung

Der MODE-Schalter 3 (Richtungsschalter) wird zum Ändern der Positionsbeziehung des A/B-Signals zur Maßstabbewegungsrichtung verwendet.

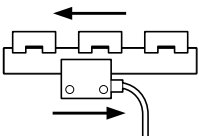
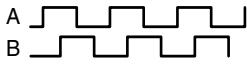


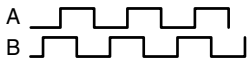

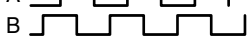
| | | |
|-----------------|---|---|
| MODE-Schalter 3 |  | Bewegung in Richtung der Kopfkabelseite |
| OFF |  <p>A </p> <p>B </p> | Voreilung des A-Signals |
| ON |  <p>A </p> <p>B </p> | Voreilung des B-Signals |

Tabelle 4-2

Hinweis

Angaben für Ausgabeformat A in Abschnitt 4-5-1.

4-4-2. Ändern der Auflösung

Der MODE-Schalter 6 (Auflösungs-Einstellschalter) wird zum Ändern der Auflösung des A/B-Signalen-Ausgangstyps verwendet.

Im Falle der Ausgabeformat F: ON = 0,1 μm
OFF = 0,05 μm

Im Falle der Ausgabeformat G: ON = 0,02 μm
OFF = 0,01 μm

4-4-3. Einstellung des Alarmzurücksetzungsmodus

Der MODE-Schalter 8 (Alarmmodusschalter) wird verwendet, um zwischen dem Modus für automatische Zurücksetzung des Alarms oder dem Modus zum Halten des Alarms bis zum erneuten Einschalten der Stromversorgung umzuschalten.

Modus für automatische Zurücksetzung

Der Maßstab befindet sich etwa 400 ms lang im Alarmzustand. Wird die Alarmursache innerhalb dieser Zeit beseitigt, dann wird der Alarmzustand nach Ablauf von etwa 400 ms automatisch aufgehoben. Bleibt die Alarmursache jedoch länger als etwa 400 ms bestehen, wird der Alarm nicht eher aufgehoben, bis die Alarmursache beseitigt wird.

Dieser Modus ist die Standardeinstellung.

Haltemodus

Befindet sich der Maßstab im Alarmzustand, bleibt der Alarmzustand auch nach der Beseitigung der Alarmursache weiter aufrechterhalten. Nachdem die Alarmursache beseitigt worden ist, wird der Alarm zurückgesetzt, sobald die Stromversorgung aus- und wieder eingeschaltet worden ist.

| MODE-Schalter 8 (Alarmmodusschalter) | Alarmmodus |
|--------------------------------------|--------------------------------------|
| OFF | Modus für automatische Zurücksetzung |
| ON | Haltemodus |

Tabelle 4-3

Das A/B-Signal ist während des Alarmzustands auf hohe Impedanz geschaltet.

Hinweis

Angaben für Ausgabeformat A in Abschnitt 4-5-3.

4-5. Maßstabsignalausgabe

4-5-1. A/B-Signalen-Beziehung (nur für Ausgabeformat A)

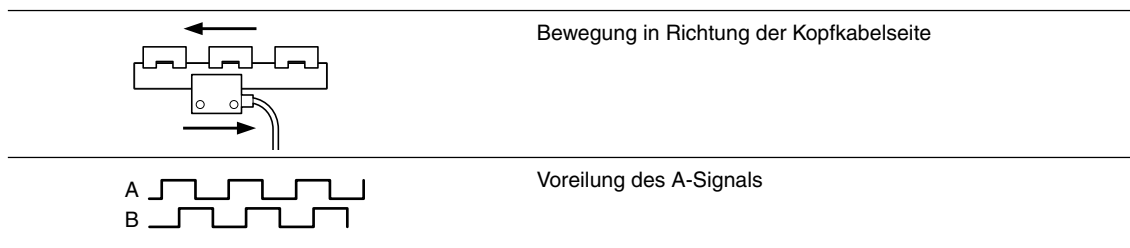


Tabelle 4-4

Hinweis

- Die Phasenbeziehung zwischen dem Ausgangssignal der A/B ist feststehend. Falls die Bewegungsrichtung nicht mit dem angeschlossenen Steuergerät übereinstimmt, vertauschen Sie die A- und B-Signale beim Anschluss an das Steuergerät.
- Angaben für Ausgabeformat F und G in Abschnitt 4-4-1.

4-5-2. A/B-Signalen- Ausgangsspezifikationen

- Die Ausgangsspezifikationen stimmen mit EIA-422 überein.
- Minimale A/B-Phasendifferenz t
Ausgabeformat A : 80 ns
Ausgabeformat F und G : 38 ns

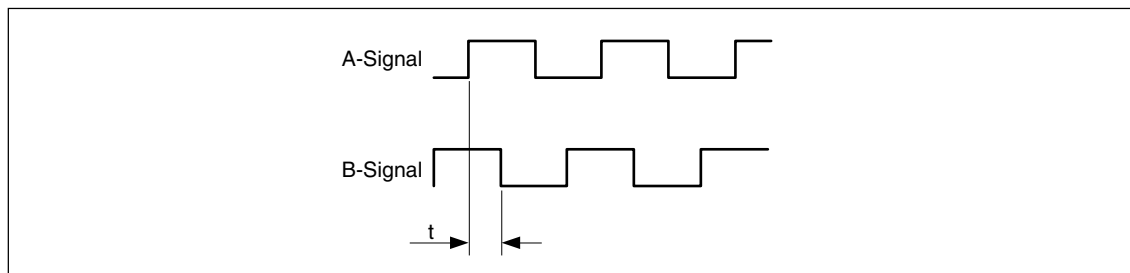


Abb. 4-4

Hinweis

- Der minimale Phasenfehler kann je nach der Länge des Ausgangskabels, der Kabelkapazität, der Empfängerlast und anderen Faktoren unterschiedlich sein.
- Da das A/B-Ausgabesignal im Ausgabeformat F und G durch einen internen 26,3-MHz-Taktgeber synchronisiert wird, führt dies zu einem Fehler von ungefähr 38 ns.

4-5-3. Alarm (nur für Ausgabeformat A)

Wenn ein Fehler im Signalpegel auftritt, wird der Maßstab für etwa eine Sekunde in den Alarmzustand versetzt. Der Alarmzustand wird nach etwa einer Sekunde automatisch aufgehoben, doch wenn die Alarmursache länger als eine Sekunde bestehen bleibt, wird der Alarm erst nach Beseitigung der Alarmursache aufgehoben.

Das A/B-Signalen-Ausgangssignal ist während des Alarmzustands auf hohe Impedanz geschaltet.

Hinweis

Angaben für Ausgabeformat F und G in Abschnitt 4-4-1.

4-5-4. Analogausgangsspezifikationen

SIN/COS-Ausgangsspezifikationen

(Über die gesamte Länge und den gesamten Betriebstemperaturbereich)

| Gegenstand | Symbol | Spezifikationen | | | Einheit | Bemerkungen |
|--------------------------------|---|-----------------|------|------|----------|-------------|
| | | Min. | Typ. | Max. | | |
| Ausgangssignal-Amplitude | $(+V_A) - (-V_A), (+V_B) - (-V_B)$ | 0,6 | 1 | 1,2 | Vs-s | Hinweis 1 |
| Ausgangssignal-Phasendifferenz | | 80 | 90 | 100 | deg | |
| Mittenspannung | $+V_{OA}, +V_{OB}, -V_{OA}, -V_{OB}$ | 2,3 | 2,5 | 2,7 | V | |
| Fehlspannung | $(+V_{OA}) - (-V_{OA}),$ $(+V_{OB}) - (-V_{OB})$ | -50 | 0 | 50 | mV | |
| Verstärkungsungleichheit | | -6 | 0 | 6 | % | System 1 |
| Lastwiderstand | | | 120 | | Ω | |

Tabelle 4-5

Hinweis 1: Wenn Abschlusswiderstand $Z_0 = 120 \Omega$, Versorgungsspannung = $5 \text{ V} \pm 5 \%$ (Spannung des Lastwiderstands an beiden Enden)

Der Pegel des Ausgangssignals reduziert sich mit zunehmender Abtastfrequenz.

System 1: $\frac{\text{s-s-Wert der A-Signalen-Ausgangsspannung} - \text{AB-Signalen-Ausgangsdurchschnitt}}{\text{AB-Signalen-Ausgangsdurchschnitt}} \times 100$

wobei

AB-Signalen-Ausgangsdurchschnitt

$= \frac{\text{s-s-Wert der A-Signalen-Ausgangsspannung} + \text{s-s-Wert der B-Signalen-Ausgangsspannung}}{2}$

Konzeptdiagramm der Ausgangswellenform

(wenn jeder Ausgang auf der Basis von 0 V betrachtet wird)

Das A-Signal entspricht SIN, und das B-Signal entspricht COS.

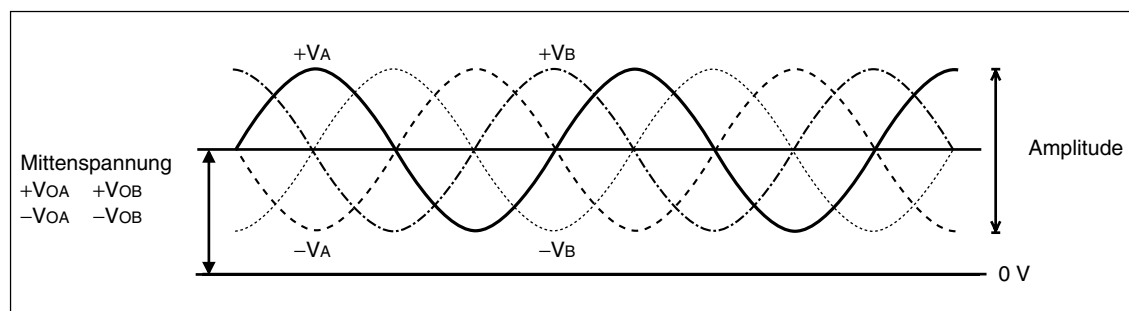


Abb. 4-5

5. Ein-/Ausgangsanschluss

5-1. Anschluss

Schnittstelleneinheitsseite

: R04-R12M (hergestellt von der Firma TAJIMI ELECTRONICS CO., LTD.)

Kabelseite

: R04-P12F (hergestellt von der Firma TAJIMI ELECTRONICS CO., LTD.) Wasserdichter Typ

: R03-PB12F (hergestellt von der Firma TAJIMI ELECTRONICS CO., LTD.) Nicht-wasserdichter Typ

| Stiftanordnung | Ein-/Ausgangsspezifikationen | | |
|----------------|--|---|------------------------|
| | A/B-Signalausgang (Ausgabeformat A) | A/B-Signalausgang (Ausgabeformat F, G) | Analogausgang |
| A | A | A | +COS |
| B | *A | *A | -COS |
| C | B | B | +SIN |
| D | *B | *B | -SIN |
| E | SIN | (Nicht anschließbar) | (Nicht anschließbar) |
| F | COS | (Nicht anschließbar) | (Nicht anschließbar) |
| G | +5 V (Stromversorgung) | +5 V (Stromversorgung) | +5 V (Stromversorgung) |
| H | 0 V (Stromversorgung) | 0 V (Stromversorgung) | 0 V (Stromversorgung) |
| J | 0 V (Signal) | 0 V (Signal) | 0 V (Signal) |
| K | 0 V (Signal) | 0 V (Signal) | 0 V (Signal) |
| L | +5 V S | +5 V S | +5 V S |
| M | 0 V S | 0 V S | 0 V S |

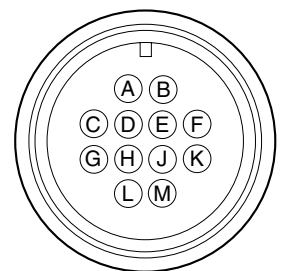


Abb. 5-1

Tabelle 5-1

Hinweis

- 0 V ist die Schaltungserde, und sie ist nicht mit der Rahmenerde verbunden.
- Vergewissern Sie sich, dass die Versorgungsspannung am Eingangsanschluss der Schnittstelleneinheit 5 V Gleichstrom $\pm 10\%$ beim Ausgabeformat A und 5 V Gleichstrom $\pm 5\%$ bei Ausgabeformat F und G beträgt.
- +5 V S und 0 V S dienen zur Überprüfung der an den Eingangsanschluss der Schnittstelleneinheit angelegten Spannung (Fernabtafunktion). Diese Spannungen können verwendet werden, um einen Abfall der Versorgungsspannung durch die Kabel zu überprüfen und zu regulieren. Wenn eine Stromquelle verwendet wird, die nicht in der Lage ist, Spannungsschwankungen zu regulieren, kann eine Stromquellen-Eingangsklemme verwendet werden, um den durch die Kabellänge verursachten Spannungsabfall zu reduzieren. Schließen Sie das Kabel in diesem Fall an die entsprechende Stromquelle von +5 V oder 0 V an.
- Die geeignete Kabeldicke ist AWG28 bis AWG24.
- Schließen Sie alle 0-V-Klemmen an, um Verdrahtungsfehler zu vermeiden.
- Verwenden Sie abgeschirmte Kabel für die gesamte Verdrahtung.
- Verwenden Sie verdrehte Doppelleitungen für die Ausgangssignale.
Verwenden Sie die Kabel so, dass die folgenden Signal gepaart sind:
A und *A, B und *B, +SIN und -SIN, +COS und -COS.
- Für Ausgabeformat A stellen SIN und COS dedizierte Signale zur Überprüfung des Maßstabsignalpegels dar. Diese Signale dürfen auf keinen Fall einem anderen Gerät als einem Oszilloskop zugeführt werden.

5-2. Anschlussspezifikationen

5-2-1. A/B-Signalen-Ausgangstyp

Der von Magnescape Co., Ltd. verwendete Leitungstreiber stimmt mit EIA-422 überein.

Außerdem ist die Gleichtaktspannung zwischen dem Leitungstreiber und dem Leitungsempfänger auf der Basis der Norm EIA-422 mit $\pm 12\text{ V}$ angegeben.

(Wird der Maßstab verwendet, wenn die Gleichtaktspannung von $\pm 12\text{ V}$ überschritten wird, kann der Maßstab beschädigt werden.)

Um Probleme zwischen den an diesem Magnescape Co., Ltd.-Produkt angeschlossenen Steuergeräten zu vermeiden, wird empfohlen, eine Signalerde (Stromquellenerde) (gemeinsamer Anschluss) anzuschließen und den Lastwiderstand auf $120\ \Omega$ einzustellen. Verdrillte Doppelleitungen (min 1 Umdrehung/1 Zoll) mit einer Kerndicke von mindestens AWG28 werden für die Differentialsignalkabel empfohlen.

(Es ist sogar noch besser, wenn die Differential-Kennimpedanz mit dem Lastwiderstandswert identisch ist.)

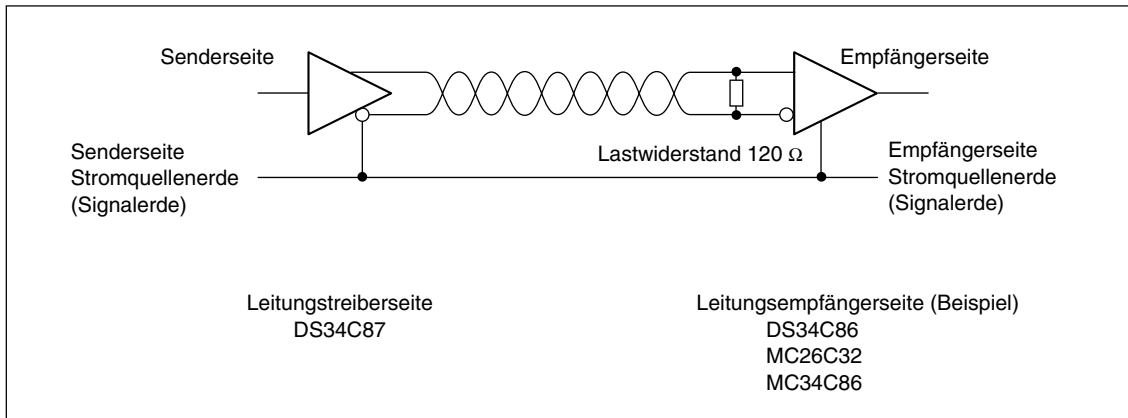


Abb. 5-2

Bei Empfang der Stromversorgung vom Steuergerät

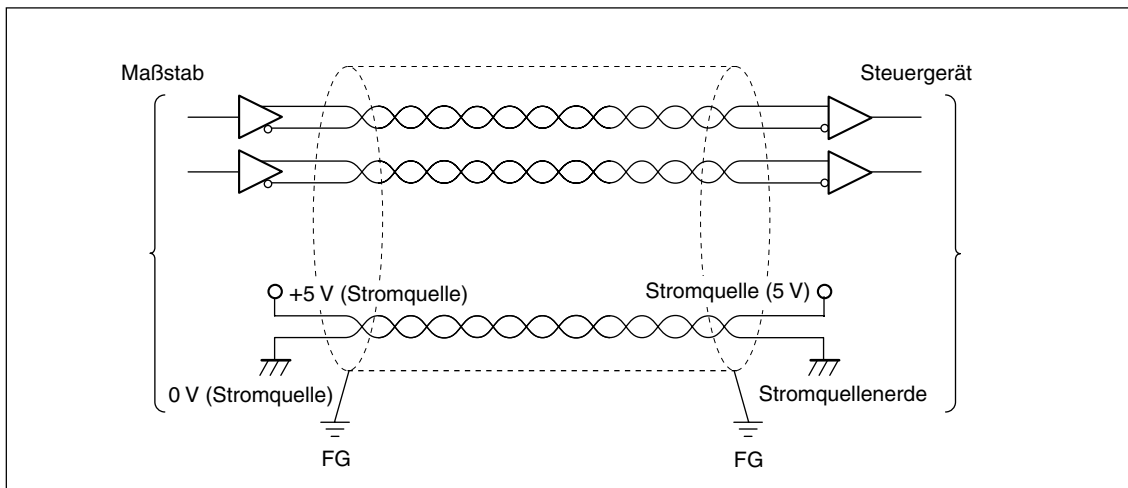


Abb. 5-3

Bei Empfang der Stromversorgung von einer anderen Quelle als dem Steuergerät

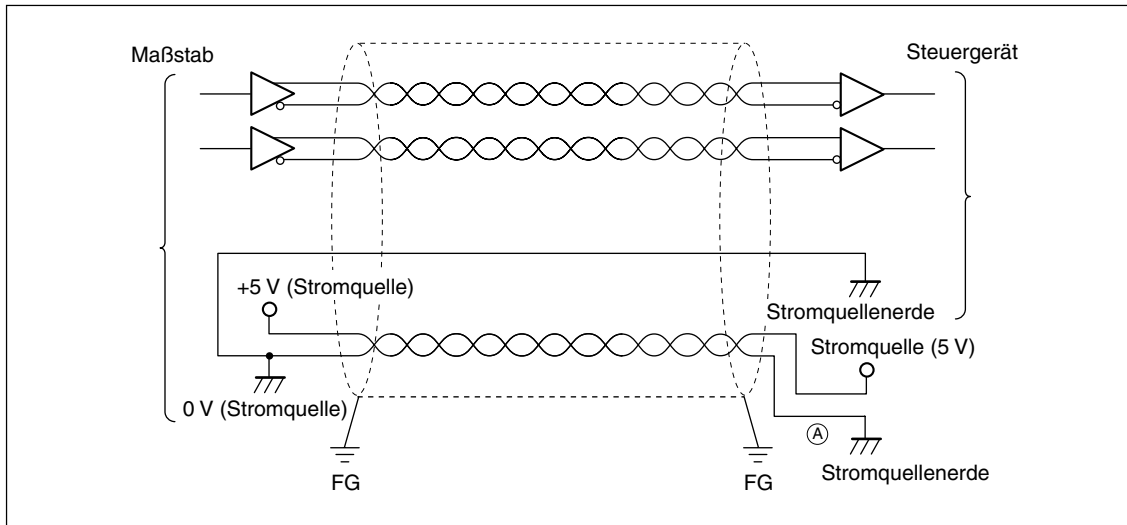


Abb. 5-4

Bei Empfang der Stromversorgung von einer anderen Quelle als dem Steuergerät haben die Stromquellenerde des Steuergerätes und die Stromquellenerde des Gerätes, das den Strom liefert, das gleiche Potential.

Hinweis

- Um die Vorschriften von FCC und EN zu erfüllen, wickeln Sie den von KITAGAWA Industries Co., LTD. hergestellten Ferritfilter TFC-16816 im Abschnitt (A) eine Umdrehung um das Stromversorgungskabel (5 V, Erde).
- Das System erfüllt nicht die Vorschrift EN61000-6-2, wenn die Stromversorgungsleitung länger als 10 m ist.
Treffen Sie Maßnahmen zur Verhütung von Spannungstößen.

5-2-2. Analogausgangstyp

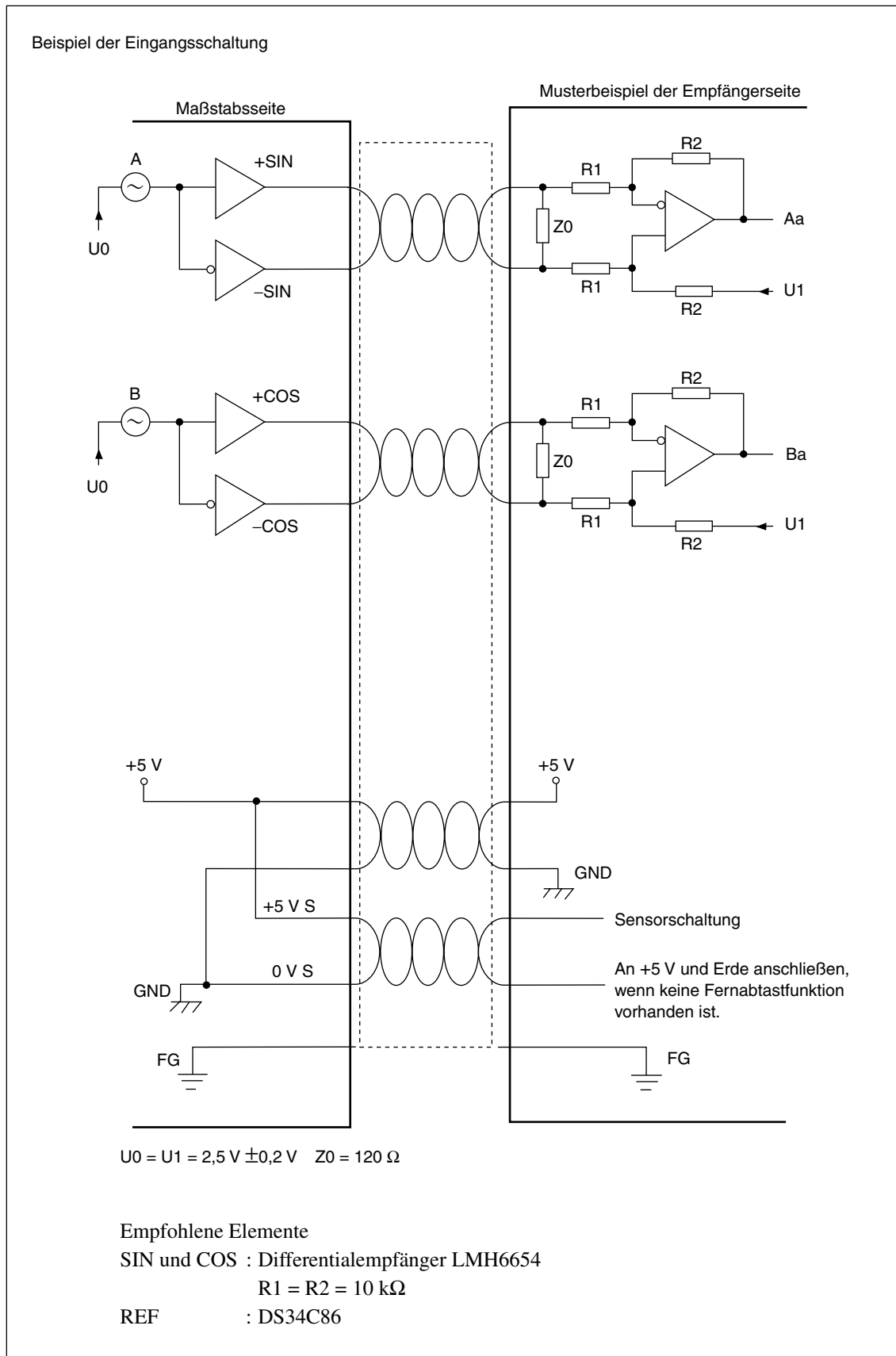
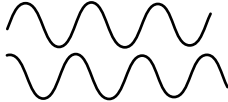
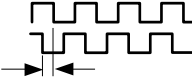


Abb. 5-5

6. Technische Daten

| Gegenstand | Funktionen und Spezifikationen | |
|----------------------------------|---|---|
| | A/B-Signalen-Ausgangstyp | Analogausgangstyp |
| Erkennungssystem | Beugungsgitterabtastung | |
| Maßstabslänge | Messlänge (mm) | 30, 70, 120, 170, 220, 270, 320, 370, 420 |
| | Montagelochabstand | Messlänge +10 mm (5 mm auf jeder Seite) |
| | Gesamte Maßstabslänge | Messlänge +26 mm |
| Gitterteilung | 1,6 µm | |
| Nullsignalteilung | 0,4 µm | |
| Ausgangssignal | Differential (entspricht EIA-422) | Differential |
| Ausgangsauflösung | Ausgabeformat A : 0,1 µm Ausgabeformat F : 0,1/0,05 µm (Auswählbar) Ausgabeformat G : 0,02/0,01 µm (Auswählbar) | |
| Maßstabsgenauigkeit | ±2,5 µm (30 bis 220 mm), ±4,5 µm (270 mm oder höher) (Hinweis 1) | |
| Rückführungsfehler | 0,05 µm max. | |
| Wiederholgenauigkeit | 0,05 µm max. | |
| Wärmeausdehnungskoeffizient | -0.7 × 10 ⁻⁶ /°C | |
| Maximale Ansprechgeschwindigkeit | Ausgabeformat A : 1.000 mm/s Minimale Phasendifferenz: 80 ns | 3.000 mm/s (Hinweis 3) Max.: 7,5 MHz  |
| | Ausgabeformat F : 1.500 mm/s (0,1 µm) 650 mm/s (0,05 µm) Minimale Phasendifferenz: 38 ns | |
| | Ausgabeformat G : 300 mm/s (0,02 µm) 120 mm/s (0,01 µm) Minimale Phasendifferenz: 38 ns  | |
| Alarmausgabe | Ausgabeformat A : bei anomalem Signalpegel: hohe Impedanz des A/B-Ausgangssignals Ausgabeformat F, G: Überschreitung der maximalen Ansprechgeschwindigkeit oder Signalpegelfehler; Wenn einer dieser Zustände auftritt, hat das Ausgangssignal hohe Impedanz. | Keine |
| Kopfkabel | Kabellänge | 1 m (Hinweis 2) |
| | Biegeradius | Statisch: 30 mm In Bewegung: 100 mm |
| Ausgangskabellänge | max. 15 m (Hinweis 4) | max. 15 m (Hinweis 3) (Hinweis 4) |
| Stromversorgung | Ausgabeformat A : +5 V Gleichstrom $\pm 5\%$ Ausgabeformat F, G, H: +5 V Gleichstrom $\pm 5\%$ (Hinweis 5) | |
| Stromverbrauch | Ausgabeformat A : 200 mA (ohne Last)/ 250 mA (bei Verwendung einer 120-Ω-Klemme) Ausgabeformat F, G: 290 mA (ohne Last)/ 350 mA (bei Verwendung einer 120-Ω-Klemme) | Ausgabeformat H: 250 mA (ohne Last, bei Verwendung einer 120-Ω-Klemme) |
| Vibrationsfestigkeit | 100 m/s ² (50 bis 2.000 Hz) | |
| Stoßfestigkeit | 200 m/s ² | |
| Betriebstemperaturbereich | 0 bis +40 °C (keine Kondensation) | |
| Lagertemperaturbereich | -10 bis +50 °C | |
| Lichtquelle | Halbleiterlaser Maximale Ausgangsleistung: 6 mW Wellenlänge: 790 nm | |
| Strahlungsleistung | JIS Klasse 1 DHHS Klasse 1 | |

Hinweis 1: Wenn Sie Maßstäbe mit einer höheren Genauigkeit als $\pm 2,5 \mu\text{m}$ benötigen, wenden Sie sich bitte an Magnescale Co., Ltd.

Hinweis 2: Eine Länge von bis zu 3 m ist auch als Sonderspezifikationen erhältlich. Je nach der Kabellänge gibt es jedoch Einschränkungen der maximalen Ansprechgeschwindigkeit. (Für ein 3-m-Kabel beträgt die Ansprechgeschwindigkeit $2/3$ von 1 m.)

Hinweis 3: Es gibt eine Beziehung zwischen der maximalen Ansprechgeschwindigkeit und der Ausgangskabellänge.

| Kabellänge (m) | Maximale Ansprechgeschwindigkeit (mm/s) |
|----------------|---|
| 3 | 3000 |
| 9 | 2330 |
| 15 | 1660 |

Hinweis 4: Das System erfüllt nicht die Vorschrift EN61000-6-2, wenn die Stromversorgungsleitung länger als 10 m ist. Treffen Sie Maßnahmen zur Verhütung von Spannungstößen.

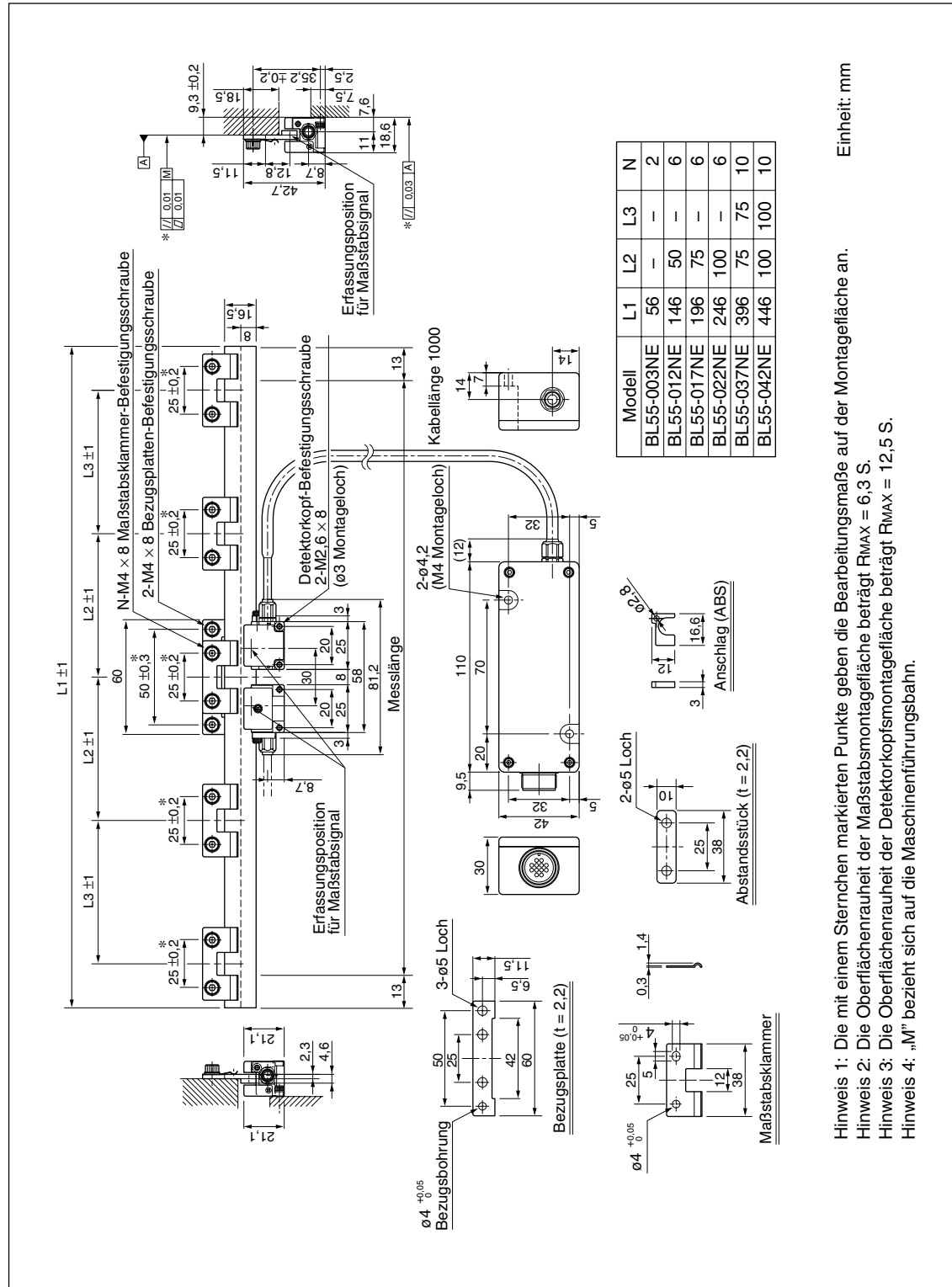
Hinweis 5: Der Anschluss-Eingangsteil muss die Spezifikationen erfüllen.

Zubehör

| Messlänge des Maßstabs | 30 | 70 | 120 | 170 | 220 | 270 | 320 | 370 | 420 |
|-----------------------------------|----|----|-----|-----|-----|-----|-----|-----|-----|
| Bezugsplatte | 1 | 0 | 1 | 1 | 1 | 0 | 0 | 1 | 1 |
| Bezugsplatte W | 0 | 1 | 0 | 0 | 0 | 1 | 1 | 0 | 0 |
| Abstandsstück | 0 | 0 | 2 | 2 | 2 | 2 | 2 | 4 | 4 |
| Maßstabsklammern | 1 | 2 | 3 | 3 | 3 | 4 | 4 | 5 | 5 |
| Innensechskantschraube (M4 × 8) | 4 | 6 | 8 | 8 | 8 | 10 | 10 | 12 | 12 |
| Unterlegscheiben (Nennmaß 4) | 4 | 6 | 8 | 8 | 8 | 10 | 10 | 12 | 12 |
| Innensechskantschraube (M4 × 10) | 2 | 2 | 2 | 2 | 2 | 2 | 2 | 2 | 2 |
| Innensechskantschraube (M2,6 × 8) | 2 | 2 | 2 | 2 | 2 | 2 | 2 | 2 | 2 |
| Unterlegscheiben (Nennmaß 2,6) | 2 | 2 | 2 | 2 | 2 | 2 | 2 | 2 | 2 |
| Kabelklemme | 1 | 1 | 1 | 1 | 1 | 1 | 1 | 1 | 1 |
| Flachkopfschraube (M4 × 8) | 1 | 1 | 1 | 1 | 1 | 1 | 1 | 1 | 1 |
| Genauigkeitstabelle | 1 | 1 | 1 | 1 | 1 | 1 | 1 | 1 | 1 |

7. Maßzeichnung

BL55-***NE (Meßlängen: 30/120/170/220/370/420)



8. Störungsinformation

- Reparaturen sind notwendig, wenn ein Überlauf auftritt, das Kabel beschädigt wird, die Maßstabseinheit verformt wird, oder eine andere Situation eintritt, die schädlich für die Funktion des Maßstabs ist. Halten Sie sofort die Maschine an, und kontaktieren Sie dann eine Magnescale Co., Ltd. Kundendienststelle oder Ihre lokale Werkstatt.
- Bei besonders großem Schadensausmaß kann eine Reparatur unmöglich sein.

このマニュアルに記載されている事柄の著作権は当社にあり、説明内容は機器購入者の使用を目的としています。したがって、当社の許可なしに無断で複製したり、説明内容（操作、保守など）と異なる目的で本マニュアルを使用することを禁止します。

The material contained in this manual consists of information that is the property of Magnescale Co., Ltd. and is intended solely for use by the purchasers of the equipment described in this manual. Magnescale Co., Ltd. expressly prohibits the duplication of any portion of this manual or the use thereof for any purpose other than the operation or maintenance of the equipment described in this manual without the express written permission of Magnescale Co., Ltd.

Le matériel contenu dans ce manuel consiste en informations qui sont la propriété de Magnescale Co., Ltd. et sont destinées exclusivement à l'usage des acquéreurs de l'équipement décrit dans ce manuel.

Magnescale Co., Ltd. interdit formellement la copie de quelque partie que ce soit de ce manuel ou son emploi pour tout autre but que des opérations ou entretiens de l'équipement à moins d'une permission écrite de Magnescale Co., Ltd.

Die in dieser Anleitung enthaltenen Informationen sind Eigentum von Magnescale Co., Ltd. und sind ausschließlich für den Gebrauch durch den Käufer der in dieser Anleitung beschriebenen Ausrüstung bestimmt.

Magnescale Co., Ltd. untersagt ausdrücklich die Vervielfältigung jeglicher Teile dieser Anleitung oder den Gebrauch derselben für irgendeinen anderen Zweck als die Bedienung oder Wartung der in dieser Anleitung beschriebenen Ausrüstung ohne ausdrückliche schriftliche Erlaubnis von Magnescale Co., Ltd.

Magnescale Co., Ltd.

Shinagawa Intercity Tower A-18F, 2-15-1, Konan, Minato-ku, Tokyo 108-6018, Japan

BL55-NE
2-918-368-15

2010.4
Printed in Japan
©2002 Magnescale Co., Ltd.